

Era-Era Zero

CE

ES / EM / EMH / EL / ELH / EZM



Tubular motor

EN - Instructions and warnings for installation and use

IT - Istruzioni ed avvertenze per l'installazione e l'uso

FR - Instructions et avertissements pour l'installation et l'utilisation

ES - Instrucciones y advertencias para la instalación y el uso

DE - Installierungs- und Gebrauchsanleitungen und Hinweise

PL - Instrukcje i ostrzeżenia do instalacji i użytkowania

NL - Aanwijzingen en aanbevelingen voor installatie en gebruik

Nice

1 SAFETY WARNINGS AND PRECAUTIONS

1.1 - Safety warnings

- **CAUTION! – Follow these personal safety instructions very carefully.** Incorrect installation could cause serious physical injury. Therefore, before starting work carefully read all parts of the manual and if in any doubt contact the Nice Service Centre for clarifications.
- **CAUTION! – Important safety instructions; save these instructions for future use.** Keep this manual in a safe place to enable future product maintenance and disposal procedures.

1.2 - Installation warnings

- **All product installation, connection, programming and maintenance operations must be performed exclusively by a qualified and skilled technician, in observance of laws, standards and local regulations and the instructions in this manual.**
- Before installation, ensure that this specific product is suitable for the automation of your shutter (see chapter 3).
- All product installation and maintenance operations must be performed with the automation disconnected from the power mains. As a precaution, affix a notice with the text "WARNING: MAINTENANCE IN PROGRESS" on the disconnect device.
- Before starting installation procedures, move away all electric cables not involved in the work and deactivate all mechanisms not required for motor-driven operation of the shutter.
- If the product is installed at a height of less than 2.5 m from the floor or other support surface, the moving parts

must be protected with a suitable covering, to avoid inadvertent access. For protection, refer to the instruction manual of the shutter, ensuring that future access for maintenance purposes is guaranteed.

- On sun awnings, a minimum horizontal distance of 40 cm must be guaranteed between the awning completely open and any fixed object positioned in front.
- During installation, handle the product with care, avoiding the risk of crushing, impact, dropping or contact with any type of liquid, do not insert sharp objects in the motor, do not drill or insert screws on the motor exterior and do not place the product in the vicinity of heat sources or naked flames (**fig. 2**).
- This may damage product and cause malfunctions, fire or hazardous situations. If this occurs, suspend installation immediately and contact the Nice Technical Assistance.
- Do not disassemble the product in excess of the operations envisaged in this manual.
- Never make any modifications to part of the product other than those specified in this manual. Operations other than as specified can only cause malfunctions. The manufacturer declines all liability for damage caused by makeshift modifications to the product.
- The product power cable is in PVC; this makes it suitable for installation exclusively indoors. If installed outdoors, the cable must be covered with a protection ducting.
- If the power cable is damaged, the product cannot be used as the cable cannot be replaced. Therefore contact the Nice Technical Assistance.
- Do not use multiple control devices for a single tubular motor or a single control device for multiple tubular motors (**fig. 3**). If necessary, use the special Nice accessory "TTE".
- During system set-up, keep all persons far from the shutter when moving.
- To control the product, use exclusively hold-to-run type pushbuttons, i.e. which must remain pressed for the entire manoeuvre.
- The product packaging material must be disposed of in full observance of current local legislation governing waste disposal.

1.3 - Operation warnings

- The product should not be used by children or people with impaired physical, sensorial or mental capacities or

who have not received adequate training in the safe use of the product.

- Do not allow children to play with fixed control devices.
- Take care in the vicinity of the shutter / awning / screen when moving, and keep at a safe distance until the manoeuvre is completed.
- **For model E MH / E LH** – When performing the manual operation, take great care if the shutter is raised because it is liable to fall rapidly in the event of weak or broken springs.
- When cleaning windows in the vicinity of the automation, do not activate any control devices and if the latter are automatic, disconnect the power supply.
- Frequently check the automation, to detect for imbalance, any signs of wear or damage to cables or springs (if present). Do not use the automation if adjustments or repairs are required. In this case always contact a specialised technician to solve the problem.

2 PRODUCT DESCRIPTION AND INTENDED USE

This product is a tubular motor designed for the automation of a shutter, sun awning or solar screen. **Any other use is strictly prohibited! The manufacturer declines all liability for damage resulting from improper use of the product and other than as specified in this manual.**

The product has the following features:

- powered via the electrical mains at 230 V;
- designed to move the shutter in Ascent and Descent by means of wall-mounted pushbuttons (not supplied in pack); the model **E MH / E LH** is also equipped with a mechanism for emergency manual manoeuvres, for use in the event of a power failure;
- is equipped with an electromechanical system that automatically shuts off power supply when the shutter reaches the set limit positions (**fig. 4**): position "0" (shutter totally retracted) and position "1" (shutter totally extended);
- the entire tubular motor is installed inside the shutter roller and the external face of this product can be mounted directly alongside the casing or by means of the relative support brackets (not supplied in pack);
- it is designed for residential use, i.e. discontinuous. It guarantees a continuous operating time of maximum 4

- minutes;
- it is fitted with a thermal cut-out which in the event of overheating due to use of the automation in excess of the set limits, automatically shuts off the power supply and only restores operation when the temperature returns within the normal range.
- during the installation and adjustment operations, the motor can be controlled by the "TTU" unit (fig. 6) until the final electrical connections have been made.

3 PRODUCT INSTALLATION

3.1 - Preliminary checks – Application limits

Caution! – Before proceeding with installation, verify the following.

- There are various versions of this product available, each designed to manage a specific motor torque. Each is designed to automate shutters / awnings / screens with specific dimensions and weight. Therefore, before proceeding with installation, refer to the "Guide to selection" in the Nice product catalogue (www.niceforyou.com) to check that the characteristics of this motor (motor torque, rotation speed and operating time) are suitable for automating your shutter / awning / screen. **Caution! - Never install a motor with a greater motor torque than that required to move your shutter / awning / screen.**
- Check the internal diameter of the roller shutter, taking into account that for the **ES** motor the minimum internal roller shutter diameter must be 40 mm, while for **EM, E MH, E LH** motors the minimum internal roller shutter diameter must be 52 mm.

3.2 - Tubular motor installation

To install the product, follow the phases shown in fig. 7 and observe the following **warnings**:

- Incorrect installation can lead to serious injury.
- For model E MH / E LH:** the handgrip of the manual operation mechanism must be positioned no higher than 1.8 m.

4 ELECTRICAL CONNECTIONS

4.1 - Installing safety devices in the electrical mains

In compliance with the electric installation rules, in the network that powers the motor, a short circuit protection device and a disconnection device from the mains electricity must be envisioned.

Attention! – The disconnection device must allow the complete disconnection of the power supply, in the conditions established by the over-voltage category III.

The disconnection device must be located in view of the automation and, if it is not visible, must envision a system that blocks any accidental or unauthorised re-connection of the power supply, in order to prevent any danger.

Note – The two devices are not present in the package.

4.2 - Installing safety devices in the electrical mains

Recommendations:

- Position the push button control panel in view of the winding device but away from its moving parts.
- Position the push button control panel on the side of the winding device, where there is the electric cable coming from the tubular motor and the mains electricity power supply cable.
- Position the buttons at a height over 1.5 m from the floor.

4.3 - Connecting the motor to a control push-button panel and the electrical mains

Attention!

- Incorrect connection can cause faults or dangerous situations, therefore scrupulously respect the instructions given in this paragraph. If in doubt, do not try to experiment but consult the relevant technical specifications which are also available on the web site www.niceforyou.com.
- If the power supply cable is damaged, the product cannot be used because the cable cannot be replaced. In these cases, contact the After-sales Service.

In electrical terms, the motor must be powered permanently, via a permanent connection to the 230V electrical mains. To connect the motor to a control pushbutton panel and electrical mains, refer to **fig. 5**. The connection cable wires are connected as follows:

- Brown** = electric ascent or descent phase.
- Black** = electric ascent or descent phase.
- Blue** = Common (normally connected to the Neutral).
- Yellow-Green** = Ground (protective electrical bonding).

4.4 - Associating the Up and Down movements with the respective pushbuttons

On completion of connections, power up the motor and check whether the Up and Down movements are associated correctly with the relative control pushbuttons. If this is not the case, invert the connection between the **Brown** and **Black** wires.

5 LIMIT SWITCH ADJUSTMENT

5.1 - Limit positions on opening and closing

During the up and down movements, the motor stops the shutter automatically when it reaches the limit switch positions (fig. 4): position "0" (shutter totally retracted) and position "1" (shutter totally extended). The factory settings of these positions are very approximate, and therefore follow the procedure below to adapt them to the specific dimensions of the roller shutter concerned.

5.2 - Adjusting first limit position "0" and then limit position "1"

01. Move the shutter to position "1".

Align the adjustment screws with the respective limit positions:

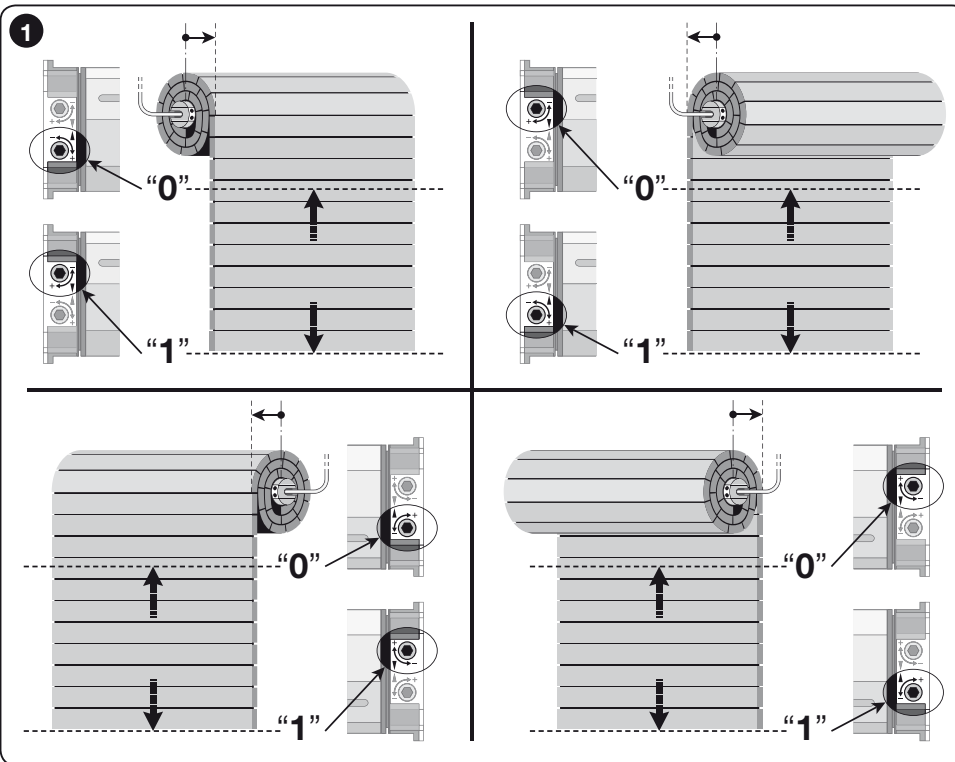
02. Stand in front of the shutter and note the following:
- the location on the roller of the limit position adjustment screws: right or left?
 - if the extended section of the shutter is in front of or behind the roller.
03. Then refer to **fig. 1** and check which diagrams correspond to the situations a) and b) noted on your installation. **Very important – The identified diagram assigns a specific limit position to be set on each adjustment screw.**

Setting limit position "0":

04. Activate the shutter so that it moves towards position "0" and wait for the motor to stop on activation of the limit switch pre-set with the factory settings.

Caution! – If the shutter moves beyond the point at which limit switch "0" is to be fixed, stop movement and then activate the shutter to move it back to the starting position; then turn the adjustment screw of limit position "0" through a few turns in the direction of the "-" sign and repeat the procedure from point 04.

05. Gradually turn the adjustment screw of limit position "0" in the direction of the "+" sign, to the required stop position "0". **Note** – on each turn of the screw, the motor moves to stop in the new position.



Setting limit position "1":

06. Turn the adjustment screw of limit position "1" through a few turns in the direction of the "-" sign
07. Activate the shutter so that it moves towards position "1" and wait for the motor to stop on activation of the limit switch pre-set with the factory settings.

Caution! – If the shutter moves beyond the point at which limit switch "1" is to be fixed, stop movement and then activate the shutter to move it back to the

starting position; then turn the adjustment screw of limit position "1" through a few turns in the direction of the "-" sign and repeat the procedure from point 07.

08. Gradually turn the adjustment screw of limit position "1" in the direction of the "+" sign, to the required stop position "1". **Note** – on each turn of the screw, the motor moves to stop in the new position.

Emergency manual manoeuvre (for model E MH / E LH only)

The model **E MH / E LH** is equipped with a mechanism fitted in the motor head (fig. 7-f) which enables the user to make an emergency manual manoeuvre by rotating the rod in one direction or the other. To avoid premature wear of the mechanism, it should be used exclusively in the event of an emergency, such as a power failure.

Caution! – During this emergency manoeuvre, the shutter must NOT exceed the travel limits “0” and “1” set during product installation.

Product disposal

This product is an integral part of the automation and therefore must be disposed together with the latter.

As in installation, also at the end of product lifetime, the disassembly and scrapping operations must be performed by qualified personnel.

This product comprises various types of materials: some may be recycled others must be disposed of. Seek information on the recycling and disposal systems envisaged by the local regulations in your area for this product category.

Caution! – some parts of the product may contain pollutant or hazardous substances which, if disposed of into the environment, may cause serious damage to the environment or physical health.

As indicated by the symbol alongside, disposal of this product in domestic waste is strictly prohibited. Separate the waste into categories for disposal, according to the methods envisaged by current legislation in your area, or return the product to the retailer when purchasing a new version.



Caution! – Local legislation may envisage serious fines in the event of abusive disposal of this product.

What to do if... (troubleshooting guide)

The motor does not move even if powered in an Ascent or Descent phase:

- 1) check whether a thermal cut-out has tripped: In this case wait for the motor to cool;
- 2) check that the mains power is ON and that it corresponds to the values on the motor dataplate.
- 3) check whether the two limit switches, due to incorrect settings, engage at the same time; in this case rotate the two adjustment screws through a few turns, in the direction of the “+” sign.

After these checks, if the motor still does not move, contact a specialist technician or the Nice Assistance Service.

Technical specifications

● **Power supply voltage and frequency; current and power; torque and speed:** Refer to the technical data on the dataplate of each model. ● **Motor diameter:** 45 mm (E S: 35 mm). ● **Nominal operating time:** Maximum 4 minutes. ● **Protection rating:** IP 44 (tubular motor). ● **Operating temperature:** -20°C (minimum). ● **Connection cable length:** 2.5 m.

Notes:

- All technical specifications stated in this section refer to an ambient temperature of 20°C (± 5°C).
- Nice reserves the right to apply modifications to the product at any time when deemed necessary, maintaining the same intended use and functionality.

EC declaration of conformity

Nice S.p.A. hereby declares that the products: **E S, E M, E MH, E L, E LH, E Z M** comply with the essential requirements and other relevant provisions as established by the directives 2006/95/CE, 2004/108/CE and 1999/5/EC (applicable only to products with on-board receiver). The CE declaration of conformity can be consulted and printed out at the web site www.nice-service.com or may be requested from Nice S.p.A.

Ing. **Mauro Sordini**
(Managing Director)

1 AVVERTENZE E PRECAUZIONI PER LA SICUREZZA

1.1 - Avvertenze per la sicurezza

• **ATTENZIONE! – Per la sicurezza delle persone è importante rispettare queste istruzioni.**

Un'installazione errata può causare gravi ferite alle persone. Pertanto, prima di iniziare il lavoro è necessario leggere attentamente tutte le parti del manuale e, in caso di dubbi, chiedere chiarimenti al Servizio Assistenza Nice.

• **ATTENZIONE! – Istruzioni importanti per la sicurezza; conservare queste istruzioni.** Conservare questo manuale per eventuali interventi futuri di manutenzione e di smaltimento del prodotto.

1.2 - Avvertenze per l'installazione

• **Tutte le operazioni di installazione, di collegamento, di programmazione e di manutenzione del prodotto devono essere effettuate esclusivamente da un tecnico qualificato e competente, rispettando le leggi, le normative, i regolamenti locali e le istruzioni riportate in questo manuale.**

• Prima di iniziare l'installazione verificare se il presente prodotto è adatto ad automatizzare il vostro avvolgibile (leggere il capitolo 3).

• Tutte le operazioni di installazione e di manutenzione del prodotto devono essere effettuate con l'automatismo scollegato dall'alimentazione elettrica. Per precauzione,

attaccare sul dispositivo di sconnessione un cartello con la scritta "ATTENZIONE! MANUTENZIONE IN CORSO".

- Prima di iniziare le operazioni di installazione, allontanare tutti i cavi elettrici che non sono coinvolti nel lavoro; inoltre, disattivare tutti i meccanismi non necessari al funzionamento motorizzato dell'avvolgibile.
- Se il prodotto è installato ad un'altezza inferiore a 2,5 m dal pavimento o da altra superficie di appoggio, è necessario proteggere le sue parti in movimento con una copertura, per impedire l'accesso accidentale. Per la protezione fare riferimento al manuale istruzioni dell'avvolgibile garantendo in ogni caso l'accesso per gli interventi di manutenzione.
- Nelle tende da sole, è necessario garantire una distanza orizzontale minima di 40 cm tra la tenda completamente aperta e un eventuale oggetto fisso, posizionato di fronte.
- Durante l'installazione maneggiare con cura il prodotto: evitare schiacciamenti, urti, cadute o contatti con qualsiasi liquido; non introdurre oggetti appuntiti nel motore; non forare e non applicare viti all'esterno del motore; non mettere il prodotto vicino a fonti di calore e non esporlo a fiamme libere (fig. 2).

Queste azioni possono danneggiare il prodotto ed essere causa di malfunzionamenti o situazioni di pericolo. In questi casi sospendere immediatamente l'installazione e rivolgersi al Servizio Assistenza Nice.

- Non smontare il prodotto oltre alle operazioni previste in questo manuale.
- Non eseguire modifiche su nessuna parte del prodotto oltre a quelle riportate in questo manuale. Operazioni non permesse possono causare solo malfunzionamenti. Il costruttore declina ogni responsabilità per danni derivanti da modifiche arbitrarie al prodotto.
- Il cavo di alimentazione del prodotto è in PVC ed è adatto esclusivamente per essere installato all'interno. Se l'installazione avviene all'esterno, coprire tutto il cavo con un tubo di protezione.
- Se il cavo di alimentazione è danneggiato, il prodotto non può essere utilizzato perché il cavo non può essere sostituito. In questi casi, contattare il Servizio Assistenza Nice.
- Non usare più di un dispositivo di comando per un singolo motore tubolare e non usare un singolo dispositivo di comando per più motori tubolari (fig. 3). Per queste evenienze utilizzare l'apposito accessorio "TTE" di Nice.
- Durante la realizzazione dell'impianto, mantenere le persone lontane dall'avvolgibile quando questo è in movimento.

- Per comandare il prodotto utilizzare esclusivamente pulsanti che funzionano a "uomo presente", cioè che occorre mantenerli premuti per l'intera durata della manovra.
- Il materiale dell'imballo del prodotto deve essere smaltito nel pieno rispetto della normativa locale.

1.3 - Avvertenze per l'uso

- Il prodotto non è destinato a essere usato da persone (bambini compresi) le cui capacità fisiche, sensoriali o mentali siano ridotte, oppure con mancanza di esperienza o di conoscenza, a meno che esse non abbiano potuto beneficiare, attraverso l'intermediazione di una persona responsabile della loro sicurezza, di una sorveglianza o di istruzioni riguardanti l'uso del prodotto.
- Non permettere ai bambini di giocare con i dispositivi di comando fissi.
- Fare attenzione all'avvolgibile quando questo è in movimento e mantenersi lontano da esso fino al completamento della manovra in atto.
- **Per il mod. E MH / E LH** – Quando si utilizza il meccanismo per la manovra manuale di soccorso, se la tapparella è alzata, fare molta attenzione perché potrebbe cadere rapidamente a causa di molle troppo deboli o rotte.
- Quando si eseguono lavori di pulizia dei vetri nei pressi dell'automazione, non azionare i dispositivi di comando; se questi sono di tipo automatico, scollegare anche l'alimentazione elettrica.
- Sottoporre l'automazione ad esame frequente per verificare se ci sono sbilanciamenti o segni di usura o danni ai cavi e alle molle (se questi sono presenti). Non utilizzare l'automazione se questa necessita di regolazioni o riparazione; rivolgersi esclusivamente a personale tecnico specializzato per la soluzione di questi problemi.

2 DESCRIZIONE DEL PRODOTTO E DESTINAZIONE D'USO

Il prodotto è un motore tubolare destinato all'automatizzazione di una tapparella, di una tenda da sole oppure di uno schermo solare. **Qualsiasi altro uso è vietato! Il produttore non risponde dei danni risultanti da un uso improprio del prodotto, rispetto a quanto descritto in questo manuale.**

Il prodotto ha le seguenti caratteristiche:

- è alimentato dalla rete elettrica, a 230 V;
- è in grado di muovere l'avvolgibile in Salita e in Discesa tramite dei pulsanti a parete (dispositivi non presenti nella confezione); inoltre il mod. **E MH / E LH** è dotato anche di un meccanismo per la manovra manuale di soccorso, da utilizzarsi in caso di black-out elettrico.
- è dotato di un sistema elettro-meccanico che interrompe automaticamente l'alimentazione quando l'avvolgibile raggiunge le posizioni di finecorsa impostate (**fig. 4**): posizione "0" (avvolgibile totalmente arrotolato) e posizione "1" (avvolgibile totalmente srotolato);
- l'intero motore tubolare si installa all'interno del rullo avvolgitore e la faccia esterna del presente prodotto può essere fissata direttamente al fianco del cassonetto oppure utilizzando apposite staffe di supporto (non presenti nella confezione);
- è progettato per l'uso residenziale e, dunque, discontinuo. Garantisce comunque un tempo di lavoro continuo di massimo 4 minuti;
- è dotato di un protettore termico che, in caso di surriscaldamento dovuto a un utilizzo dell'automazione oltre i limiti previsti, interrompe automaticamente l'alimentazione elettrica e la ripristina appena la temperatura si normalizza.
- Durante le operazioni di installazione e regolazione, quando i collegamenti elettrici non sono ancora definitivi è possibile comandare il motore tubolare con l'apposita unità "TTU" (**fig. 6**).

3 INSTALLAZIONE DEL PRODOTTO

3.1 - Verifiche preliminari - limiti d'impiego

Attenzione! – Prima di procedere all'installazione, verificare i seguenti aspetti.

- Il presente prodotto è disponibile in varie versioni, ciascuna con una determinata coppia motore. Ognuna di queste è progettata per automatizzare avvolgibili con determinate caratteristiche di dimensioni e peso. Quindi, prima di procedere all'installazione, fare riferimento alla "Guida alla scelta" presente nel catalogo dei prodotti Nice (www.niceforyou.com) per verificare se le caratteristiche del presente motore (coppia motore, velocità di rotazione e tempo di funzionamento) sono adatte ad automatizza-

re il vostro avvolgibile. **Attenzione!** - Non installare un motore con capacità di coppia motore maggiore di quella necessaria a muovere il vostro avvolgibile.

- Verificare il diametro interno del vostro rullo avvolgitore, tenedo presente che per il motore **E S** il diametro interno minimo del rullo avvolgitore deve essere di 40 mm, mentre per i motori **E M**, **E MH**, **E LH** il diametro interno minimo del rullo avvolgitore deve essere di 52 mm.

3.2 - Installazione del motore tubolare

Per installare il prodotto seguire le fasi illustrate in **fig. 7** e considerare le seguenti avvertenze:

- L'installazione non corretta può causare gravi ferite.
- **Per il mod. E MH / E LH:** l'impugnatura del meccanismo che permette di effettuare la manovra manuale di soccorso deve essere posizionata a un'altezza inferiore a 1,8 m.

4 COLLEGAMENTI ELETTRICI

4.1 - Installazione dei dispositivi di protezione all'interno della rete di alimentazione elettrica

In conformità alle regole di installazione elettrica, nella rete che alimenta il motore è necessario prevedere un dispositivo di protezione contro il corto circuito e un dispositivo di sconnessione dalla rete elettrica.

Attenzione! – Il dispositivo di sconnessione deve consentire la disconnessione completa dell'alimentazione, nelle condizioni stabilite dalla categoria di sovratensione III.

Il dispositivo di sconnessione deve essere collocato in vista dell'automazione e, se non è visibile, deve prevedere un sistema che blocca un'eventuale riconnessione accidentale o non autorizzata dell'alimentazione, al fine di scongiurare qualsiasi pericolo.

Nota – I due dispositivi non sono presenti nella confezione.

4.2 - Installazione di una pulsantiera a parete

Avvertenze:

- Posizionare la pulsantiera in vista dell'avvolgibile ma lontano dalle sue parti in movimento.
- Posizionare la pulsantiera sul lato dell'avvolgibile dove sono presenti il cavo elettrico proveniente dal motore tubolare e il cavo di alimentazione proveniente dalla rete elettrica.
- Posizionare i pulsanti ad un'altezza superiore a 1,5 m dal pavimento.

4.3 - Collegamento del motore a una pulsantiera di comando e alla rete elettrica

Attenzione!

- Un collegamento errato può provocare guasti o situazioni di pericolo; quindi, rispettare scrupolosamente le istruzioni di questo paragrafo. In caso di dubbio non fare tentativi inutili ma consultare le apposite schede tecniche di approfondimento, disponibili anche nel sito www.niceforyou.com.
- Se il cavo di alimentazione è danneggiato, il prodotto non può essere utilizzato perché il cavo non può essere sostituito. In questi casi, contattare il Servizio di Assistenza Tecnica.

Dal punto di vista elettrico il motore deve essere alimentato in modo permanente, attraverso un collegamento permanente alla rete di distribuzione elettrica a 230V. Per collegare il motore a una pulsantiera di comando e alla rete elettrica fare riferimento alla **fig. 5**. I conduttori del cavo di collegamento hanno il seguente impiego:

- **Colore Marrone** = Fase elettrica di salita o discesa.
- **Colore Nero** = Fase elettrica di salita o discesa.
- **Colore Blu** = Comune (di solito collegato al Neutro).
- **Colore Giallo-verde** = Terra (collegamento equipotenziale di protezione).

4.4 - Abbinamento dei movimenti di **Salita** e **Discesa** ai rispettivi pulsanti

Al termine dei collegamenti, alimentare il motore e verificare se i movimenti di Salita e Discesa sono correttamente abbinati ai rispettivi pulsanti di comando. Se non è così, invertire il collegamento tra i conduttori **Marrone** e **Nero**.

5 REGOLAZIONE DEI FINECORSI

5.1 - I finecorsa in chiusura e in apertura

Durante il movimento di salita e discesa il motore ferma automaticamente l'avvolgibile quando questo raggiunge le posizioni di finecorsa (fig. 4): posizione "0" (avvolgibile totalmente arrotolato) e posizione "1" (avvolgibile totalmente srotolato). Di fabbrica queste posizioni sono fissate in modo approssimativo e, per adeguarle alle dimensioni specifiche del vostro avvolgibile, utilizzare la procedura descritta di seguito.

5.2 - Come regolare prima il finecorsa "0" e poi il finecorsa "1"

01. Portare l'avvolgibile in posizione "1".

Abbinare le viti di regolazione ai rispettivi finecorsa:

02. Mettersi di fronte all'avvolgibile e osservare:

- a) a quale estremità del rullo si trovano le viti di regolazione dei finecorsa: a destra o a sinistra?
- b) se la parte srotolata dell'avvolgibile si trova davanti o dietro il rullo.

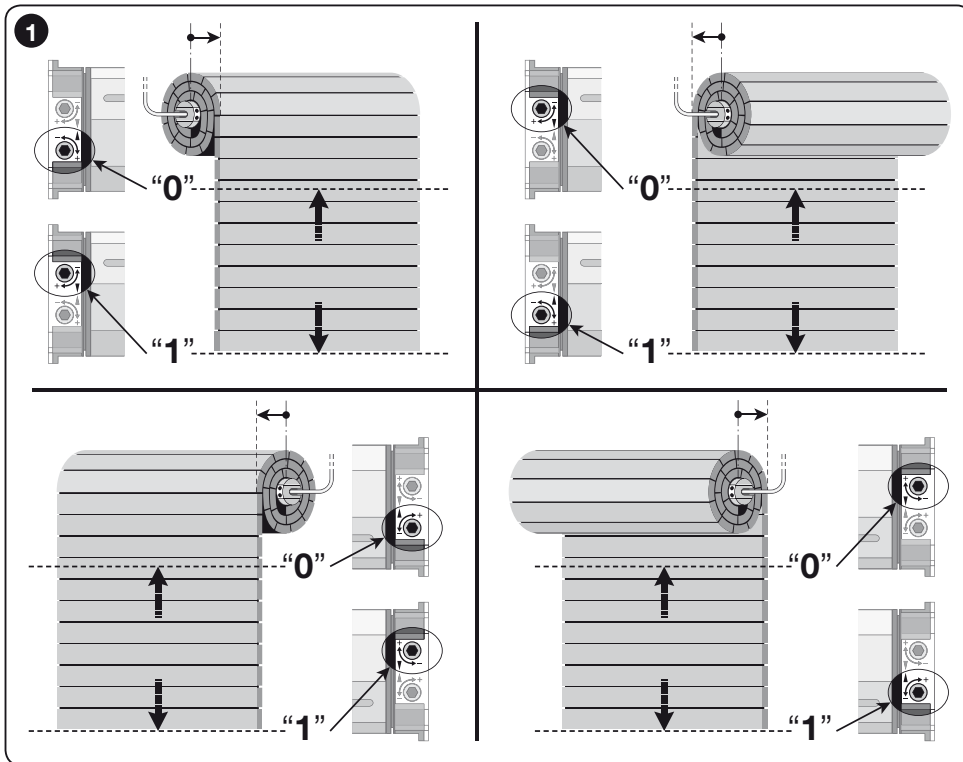
03. Quindi osservare la fig. 1 e individuare tra gli schemi riportati quello che corrisponde alla situazione a) e b) osservata nella vostra installazione. **Molto importante – Lo schema individuato assegna ad ogni vite di regolazione un determinato finecorsa da regolare.**

Regolare il finecorsa "0":

04. Comandare l'avvolgibile in modo che questo si muova verso la posizione "0" e attendere che il motore si fermi per l'intervento del finecorsa pre-regolato in fabbrica.

Attenzione! – Se l'avvolgibile supera il punto in cui si desidera fissare il finecorsa "0", fermare il movimento; quindi, comandare l'avvolgibile per farlo ritornare nella posizione di partenza; ruotare di qualche giro, in direzione del segno "-", la vite di regolazione relativa al finecorsa "0" e, infine, ripetere la procedura dal punto 04.

05. Ruotare poco per volta, in direzione del segno "+", la vite di regolazione relativa al finecorsa "0", fino ad ottenere la posizione di arresto "0" desiderata. **Nota** -



ad ogni giro di vite il motore avanza, fermandosi nella nuova posizione.

Regolare il finecorsa "1":

06. Ruotare di qualche giro, in direzione del segno "-", la vite di regolazione relativa al finecorsa "1".

07. Comandare l'avvolgibile in modo che questo si muova verso la posizione "1" e attendere che il motore si fermi per l'intervento del finecorsa pre-regolato in fabbrica.

Attenzione! – Se l'avvolgibile supera il punto in cui si

desidera fissare il finecorsa "1", fermare il movimento; quindi, comandare l'avvolgibile per farlo ritornare nella posizione di partenza; ruotare di qualche giro, in direzione del segno "-", la vite di regolazione relativa al finecorsa "1" e, infine, ripetere la procedura dal punto 07.

08. Ruotare poco per volta, in direzione del segno "+", la vite di regolazione relativa al finecorsa "1", fino ad ottenere la posizione di arresto "1" desiderata. **Nota** - ad ogni giro di vite il motore avanza, fermandosi nella nuova posizione.

Manovra manuale di soccorso (solo per il mod. E MH / E LH)

Il mod. **E MH / E LH** è dotato di un meccanismo fissato nella testa del motore (fig. 7-f) che permette all'utilizzatore di effettuare una manovra manuale di soccorso, ruotando l'asta in un senso oppure nell'altro. Per evitare di usurare inutilmente il meccanismo si consiglia di utilizzarlo solo in caso di emergenza e, dunque, di black-out elettrico.

Attenzione! – Durante l'esecuzione di questa manovra, l'avvolgibile **NON** deve superare i limiti dei finecorsa "0" e "1" impostati nelle fasi di installazione del prodotto.

Smaltimento del prodotto

Questo prodotto è parte integrante dell'automazione, e dunque, deve essere smaltito insieme con essa.

Come per le operazioni d'installazione, anche al termine della vita di questo prodotto, le operazioni di smantellamento devono essere eseguite da personale qualificato.

Questo prodotto è costituito da vari tipi di materiali: alcuni possono essere riciclati, altri devono essere smaltiti. Informatevi sui sistemi di riciclaggio o smaltimento previsti dai regolamenti vigenti sul vostro territorio, per questa categoria di prodotto.

Attenzione! – alcune parti del prodotto possono contenere sostanze inquinanti o pericolose che, se disperse nell'ambiente, potrebbero provocare effetti dannosi sull'ambiente stesso e sulla salute umana.

Come indicato dal simbolo a lato, è vietato gettare questo prodotto nei rifiuti domestici. Eseguire quindi la "raccolta separata" per lo smaltimento, secondo i metodi previsti dai regolamenti vigenti sul vostro territorio, oppure riconsegnare il prodotto al venditore nel momento dell'acquisto di un nuovo prodotto equivalente.



Attenzione! – i regolamenti vigenti a livello locale possono prevedere pesanti sanzioni in caso di smaltimento abusivo di questo prodotto.

Cosa fare se... (guida alla soluzione dei problemi)

Il motore non si muove nonostante sia alimentata una fase di Salita o Discesa:

- 1) verificare se è in atto la protezione termica: in questo caso basta aspettare che il motore si raffreddi;
- 2) verificare se c'è tensione di rete e se questa corrisponde ai valori riportati nei dati di targa del motore;
- 3) verificare se i due finecorsa, a causa di un'errata regolazione, si attivano contemporaneamente; in questo caso ruotare le due viti di regolazione di alcuni giri, in direzione del segno "+".

Se dopo questi controlli il motore non si muove, rivolgersi ad un tecnico qualificato, oppure contattare il Servizio Assistenza Nice.

Caratteristiche tecniche

- **Tensione di alimentazione e frequenza; corrente e potenza; coppia e velocità:** Vedere dati tecnici sull'etichetta di ogni modello.
- **Diametro del motore:** 45 mm (E S: 35 mm).
- **Tempo nominale di funzionamento:** Massimo 4 minuti.
- **Grado di protezione:** IP 44 (motore tubolare).
- **Temperatura di funzionamento:** -20°C (minimo).
- **Lunghezza cavo di connessione:** 2,5 m

Note:

- Tutte le caratteristiche tecniche riportate sono riferite ad una temperatura ambientale di 20°C (± 5°C).
- Nice S.p.a si riserva il diritto di apportare modifiche al prodotto in qualsiasi momento lo riterrà necessario, mantenendone le stesse funzionalità e destinazione d'uso.

Dichiarazione CE di conformità

Con la presente, Nice S.p.A. dichiara che i prodotti: **E S, E M, E MH, E L, E LH, E Z M** sono conformi ai requisiti essenziali ed alle altre disposizioni pertinenti, stabilite dalle direttive 2006/95/CE, 2004/108/CE e 1999/5/CE (applicabile solo per i prodotti con ricevente a bordo). La dichiarazione di conformità CE può essere consultata e stampata nel sito www.nice-service.com oppure può essere richiesta a Nice S.p.A.

Ing. **Mauro Sordini**
(Amministratore Delegato)

1 AVERTISSEMENTS ET PRECAUTIONS POUR LA SÉCURITÉ

1.1 - Recommandations pour la sécurité

- **ATTENTION ! – Pour la sécurité des personnes, il est important de respecter ces instructions.** Une installation erronée peut causer de graves blessures aux personnes. Par conséquent, avant de commencer le travail, il faut lire attentivement toutes les parties du guide et, en cas de doutes, demander des précisions au service après-vente Nice.
- **ATTENTION ! – Instructions importantes pour la sécurité; conserver ces instructions.** Conserver avec soin ce guide pour faciliter les éventuelles interventions futures de maintenance ou de mise au rebut du produit.

1.2 - Avertissements pour l'installation

- **Toutes les opérations d'installation, de connexion, de programmation et de maintenance du produit doivent être effectuées exclusivement par un technicien qualifié et compétent, en respectant les lois, les normes, les réglementations locales et les instructions reportées dans ce guide.**
- Avant de commencer l'installation vérifier si le présent produit est adapté à automatiser le store ou le volet roulant auquel il est destiné (lire le chapitre 3).
- Toutes les opérations d'installation ou de maintenance doivent être effectuées avec l'automatisme déconnecté de l'alimentation électrique. Par précaution, attacher au dispositif de déconnexion un panneau avec les mots «ATTENTION ! MAINTENANCE EN COURS ».
- Avant de commencer les opérations d'installation, éteindre tous les câbles électriques qui ne sont pas concernés par le travail ; désactiver en outre tous les mécanismes non nécessaires au fonctionnement motorisé du

store ou du volet roulant.

- Si le produit est installé à une hauteur inférieure à 2,5 m du sol (ou d'une autre surface d'appui), il faut protéger les parties en mouvement de l'automatisme par un carter pour empêcher un accès accidentel. Pour la protection se référer au guide d'instructions du store ou du volet roulant en garantissant dans tous les cas l'accès pour les interventions de maintenance.
 - Pour les stores, il est important de garantir une distance horizontale de 40 cm minimum entre le store complètement ouvert et un éventuel obstacle situé devant lui.
 - Durant l'installation manipuler avec soin le produit : éviter les écrasements, les chocs, les chutes ou les contacts avec n'importe quel liquide ; ne pas introduire d'objets pointus dans le moteur ; ne pas percer ni appliquer de vis à l'extérieur du moteur ; ne pas mettre le produit à proximité de sources de chaleur ni l'exposer à des flammes vives (**fig. 2**).
- Ces actions peuvent l'endommager et causer des problèmes de fonctionnement ou des situations de danger. Dans ces cas-là, suspendre immédiatement l'installation et s'adresser au service après-vente Nice.
- Ne pas démonter le produit en dehors des opérations prévues dans ce guide.
 - Ne pas effectuer de modifications sur une partie quelconque du dispositif en dehors de celles indiquées dans ce guide. Des opérations non autorisées ne peuvent que provoquer des problèmes de fonctionnement. Le constructeur décline toute responsabilité pour les dommages dérivant de modifications arbitraires au produit.
 - Le câble d'alimentation du produit est en PVC et est adapté exclusivement pour être installé à l'intérieur. Si l'installation est effectuée à l'extérieur, couvrir tout le câble avec une goulotte de protection.
 - Si le câble d'alimentation est endommagé, le produit ne peut pas être utilisé parce que le câble ne peut pas être remplacé. Dans ces cas-là, contacter le service après-vente Nice.
 - Ne pas utiliser plus d'un dispositif de commande par moteur tubulaire et ne pas utiliser un seul dispositif de commande pour plusieurs moteurs tubulaires (**fig. 3**). En cas de besoin, utiliser éventuellement l'accessoire spécial « TTE » de Nice.
 - Pendant la réalisation de l'installation, maintenir les personnes à distance du store ou du volet roulant quand il est en mouvement.
 - Pour commander le produit, utiliser exclusivement des

touches du type « commande à action maintenue », c'est-à-dire qu'il faut les maintenir enfoncées pendant toute la durée de la manœuvre.

- Les matériaux de l'emballage du produit doivent être mis au rebut dans le plein respect des normes locales en vigueur.

1.3 - Recommandations pour l'utilisation

- Le produit n'est pas destiné à être utilisé par des personnes (enfants compris) aux capacités physiques, sensorielles ou mentales réduites, ou manquant d'expérience ou de connaissances, à moins que celles-ci aient pu bénéficier, par l'intermédiaire d'une personne responsable de leur sécurité, d'une surveillance ou d'instructions sur l'utilisation du produit.
- Ne pas laisser les enfants jouer avec les dispositifs de commande fixes.
- Faire attention au store ou volet roulant quand il est en mouvement et rester à distance jusqu'à la fin de la manœuvre en cours.
- **Pour le mod. E MH / E LH** – Quand on utilise le mécanisme pour la manœuvre manuelle de secours, si le volet est relevé, faire très attention car il pourrait retomber très rapidement à cause de ressorts trop faibles ou cassés.
- Quand on effectue des travaux de nettoyage des vitres près de l'automatisme, ne pas actionner les dispositifs de commande ; si ces dispositifs sont de type automatique, déconnecter aussi l'alimentation électrique.
- Contrôler fréquemment l'automatisme pour vérifier qu'il n'y a pas de déséquilibres ni de signes d'usure ou dommages aux câbles et aux ressorts (s'ils sont présents). Ne pas utiliser l'automatisme si celui-ci a besoin de réglages ou de réparations ; s'adresser exclusivement à du personnel technique spécialisé pour la solution de ces problèmes.

2 DESCRIPTION DU PRODUIT ET TYPE D'UTILISATION

Le produit est un moteur tubulaire destiné à l'automatisation d'un volet roulant, d'un store intérieur ou extérieur. **Toute autre utilisation est impropre et interdite. Le producteur ne répond pas des dommages résultant d'une utilisation impropre du produit, différente de ce qui est prévu dans ce guide.**

Le produit a les caractéristiques suivantes :

- il est alimenté par le secteur électrique, à 230 V ;
- il est en mesure de manœuvrer le store ou le volet roulant en Montée et en Descente à l'aide de touches murales (dispositifs non présents dans l'emballage) ; de plus, le mod. **E MH / E LH** est muni également d'un mécanisme pour la manœuvre manuelle de secours, à utiliser en cas d'interruption du courant électrique ;
- il est équipé d'un système électromécanique qui interrompt automatiquement l'alimentation quand le volet roulant ou le store atteint les positions de fin de course programmées (**fig. 4**) : position « 0 » (store ou volet entièrement enroulé) et position « 1 » (store ou volet entièrement déroulé) ;
- tout le moteur tubulaire s'installe à l'intérieur du tube d'enroulement et la face externe du présent produit peut être fixée directement au côté du caisson ou en utilisant des pattes de support (non présentes dans l'emballage) ;
- il est conçu pour un usage résidentiel et donc, discontinu. Il garantit dans tous les cas un temps de travail continu de 4 minutes maximum ;
- il est muni d'un protecteur thermique qui, en cas de surchauffe due à une utilisation de l'automatisme dépassant les limites prévues, interrompt automatiquement l'alimentation électrique et la rétablit dès que la température se normalise.
- durant les opérations d'installation et de réglage, quand les connexions électriques ne sont pas encore définitives, il est possible de commander le moteur tubulaire avec l'unité « **TTU** » (**fig. 6**).

3 INSTALLATION DU PRODUIT

3.1 - Contrôles préliminaires - limites d'utilisation

Attention ! – Avant de procéder à l'installation, vérifier les aspects suivants

- Le présent produit est disponible en différentes versions, chacune avec un couple moteur donné. Chacune de ces versions est conçue pour automatiser des stores ou des volets roulants ayant des caractéristiques de dimensions et de poids données. Par conséquent, avant de procéder à l'installation, consulter le

«Guide pour le choix» présent dans le catalogue des produits Nice (www.niceforyou.com) pour vérifier si les caractéristiques de ce moteur (couple moteur, vitesse de rotation et temps de fonctionnement) sont adaptées pour automatiser le store ou le volet roulant en question.

Attention ! - Ne pas installer un moteur d'une capacité de couple supérieure à la capacité nécessaire pour manœuvrer le store ou le volet roulant.

- Vérifier le diamètre interne de votre tube d'enroulement, en tenant compte que pour le moteur **E S** le diamètre interne minimum du tube d'enroulement doit être de 40 mm, tandis que pour les moteurs **E M**, **E MH**, **E LH** le diamètre interne minimum du tube d'enroulement doit être de 52 mm.

3.2 - Installation du moteur tubulaire

Pour installer le produit suivre les phases illustrées **fig. 7** et respecter les **recommandations** qui suivent :

- Une installation incorrecte peut causer de graves blessures.
- **Pour le mod. E MH / E LH** : la poignée du mécanisme qui permet d'effectuer la manœuvre manuelle de secours doit être positionnée à une hauteur inférieure à 1,8 m.

4 BRANCHEMENTS ÉLECTRIQUES

4.1 - Installation des dispositifs de protection sur la ligne d'alimentation électrique

Conformément aux règles d'installation électrique, il faut prévoir dans le réseau électrique alimentant le moteur un dispositif de protection contre le court-circuit et un dispositif de déconnexion du réseau électrique.

Attention ! – Le dispositif de déconnexion doit permettre la déconnexion complète de l'alimentation, dans les conditions établies par la catégorie de sur-tension III.

Il faut positionner le dispositif de déconnexion près de l'automatisation et, s'il n'est pas visible, il doit prévoir un système de blocage de l'éventuelle reconnexion accidentelle ou non autorisée de l'alimentation pour éviter tout type de danger.

Note – Les deux dispositifs ne sont pas inclus dans l'emballage.

4.2 - Installation d'un boîtier au mur

Mises en garde :

- Positionner le boîtier près de l'enrouleur mais loin de ses parties en mouvement.
- Positionner le boîtier sur le côté de l'enrouleur où se trouvent le câble électrique provenant du moteur tubulaire et le câble d'alimentation provenant du réseau électrique.
- Positionner les boutons à une hauteur supérieure à 1,5 m du sol.

4.3 - Branchement du moteur à un clavier de commande et au secteur

Attention !

- Une mauvaise connexion peut provoquer des pannes ou des situations de danger, veuillez respecter scrupuleusement les instructions de ce paragraphe. En cas de doute, ne pas faire de tentatives inutiles mais consulter les fiches techniques de approfondissement, disponibles également sur le site www.niceforyou.com.
- Si le câble d'alimentation est endommagé, le produit ne peut être utilisé car le câble ne peut être remplacé. Dans ce cas, contacter le Service d'Assistance Technique du fabricant.

Du point de vue électrique, le moteur doit être alimenté de manière permanente, à travers un branchement permanent au secteur de distribution électrique à 230 V. Pour connecter le moteur à un clavier de commande et au secteur, se référer à la **fig. 5**. Les conducteurs du câble ont la fonction suivante :

- **Marron** = Phase électrique de montée ou descente.
- **Noir** = Phase électrique de montée ou descente.
- **Bleu** = Commun (généralement connecté au Neutre).
- **Jaune-vert** = Terre (connexion équipotentielle de protection).

4.4 - Association des mouvements de **Montée** et de **Descente** aux touches respectives

À la fin des connexions, alimenter le moteur et vérifier si les mouvements de Montée et de Descente sont correctement associées aux touches de commande respectives. Si

ce n'est pas le cas, inverser la connexion entre les conducteurs **Marron** et **Noir**.

5 RÉGLAGE DES FINS DE COURSE

5.1 - Les fins de course en fermeture et en ouverture

Durant le mouvement de montée et de descente le moteur arrête automatiquement le store ou le volet quand celui-ci atteint les positions de fin de course (**fig. 4**) : position « 0 » (store ou volet entièrement enroulé) et position « 1 » (store ou volet entièrement déroulé). En usine, ces positions sont fixées de manière approximative et pour les adapter aux dimensions spécifiques de votre store ou volet, utiliser la procédure décrite ci-après.

5.2 - Comment régler d'abord le fin de course « 0 » puis le fin de course « 1 »

01. Mettre le store ou le volet dans la position « 1 ».

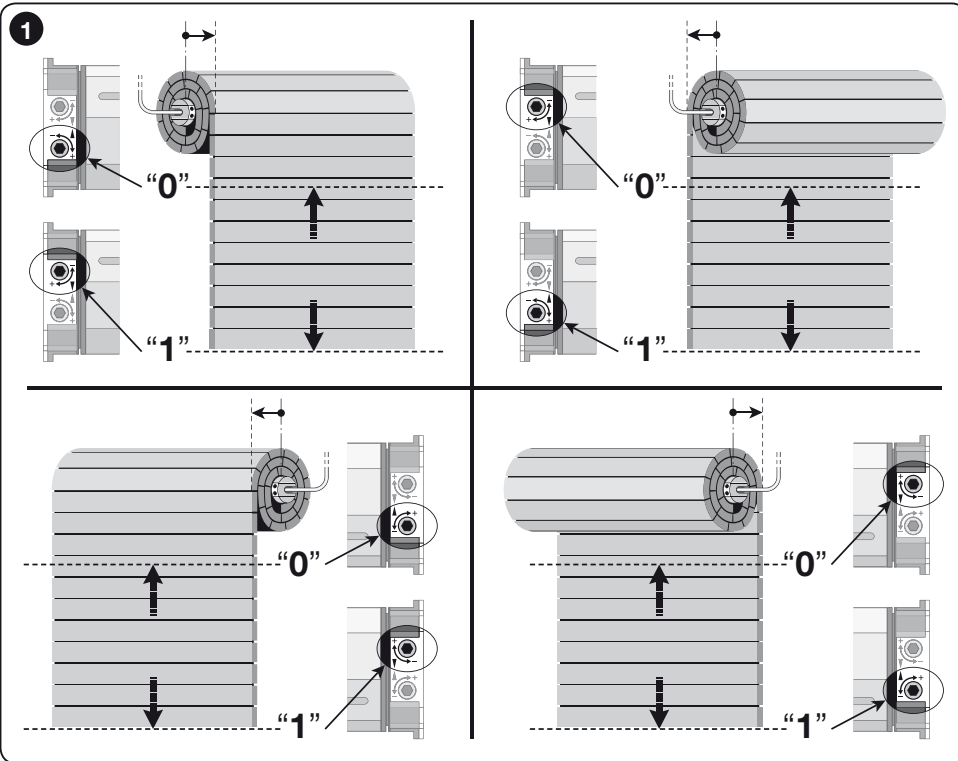
Associer les vis de réglage aux fins de course respectifs :

02. Se placer face au store ou volet et observer :
- a) à quelle extrémité du tube se trouvent les vis de réglage des fins de course : à droite ou à gauche ?
 - b) si la partie déroulée du tablier se trouve devant ou derrière le tube.
03. Observer ensuite la **fig. 1** et identifier parmi les schémas celui qui correspond à la situation a) et b) observée dans votre installation. **Très important – Le schéma identifié attribue à chaque vis de réglage un fin de course donné à régler.**

Régler le fin de course « 0 » :

04. Commander le volet ou le store de manière qu'il se déplace vers la position « 0 » et attendre que le moteur s'arrête, du fait de l'intervention du fin de course tel qu'il est réglé en usine.

Attention ! – Si le store ou le volet dépasse le point où l'on souhaite fixer le fin de course « 0 », arrêter le mouvement ; ensuite, commander le volet ou le store pour le faire revenir dans la position de départ ; tourner de quelques tours, vers le signe « - », la vis de ré-



glage relative au fin de course « 0 » puis répéter la procédure à partir du point 04.

05. Tourner un peu à la fois, vers le signe « + », la vis de réglage relative au fin de course « 0 », jusqu'à la position d'arrêt « 0 » désirée. **Note** – à chaque tour de vis, le moteur avance, en s'arrêtant dans la nouvelle position.

Régler le fin de course « 1 » :

06. Tourner de quelques tours, vers le signe « - », la vis de

réglage relative au fin de course « 1 ».

07. Commander le volet ou le store de manière qu'il se déplace vers la position « 1 » et attendre que le moteur s'arrête, du fait de l'intervention du fin de course tel qu'il est réglé en usine.

Attention ! – Si le store ou le volet dépasse le point où l'on souhaite fixer le fin de course « 1 », arrêter le mouvement ; ensuite, commander le volet ou le store pour le faire revenir dans la position de départ ; tour-

ner de quelques tours, vers le signe « - », la vis de réglage relative au fin de course « 1 » puis répéter la procédure à partir du point 07.

08. Tourner un peu à la fois, vers le signe « + », la vis de réglage relative au fin de course « 1 », jusqu'à la position d'arrêt « 1 » désirée. **Note** - à chaque tour de vis, le moteur avance, en s'arrêtant dans la nouvelle position.

Manœuvre manuelle de secours (uniquement pour le mod. E MH / E LH)

Le mod. **E MH / E LH** est muni d'un mécanisme fixé dans la tête du moteur (fig. 7-f) qui permet à l'utilisateur d'effectuer une manœuvre manuelle de secours en tournant la manivelle dans un sens ou dans l'autre. Pour éviter d'user inutilement le mécanisme il est conseillé de ne l'utiliser qu'en cas d'urgence et donc d'interruption de l'alimentation électrique.

Attention ! – Durant l'exécution de cette manœuvre, le store ou le volet roulant NE DOIT PAS dépasser les limites des fins de course « 0 » et « 1 » programmées dans les phases d'installation du produit.

Mise au rebut du produit

Ce produit est partie intégrante de l'automatisme et doit donc être mis au rebut avec ce dernier.

Comme pour l'installation, à la fin de la durée de vie de ce produit, les opérations de démantèlement doivent être effectuées par du personnel qualifié.

Ce produit est constitué de différents types de matériaux : certains peuvent être recyclés, d'autres doivent être mis au rebut. Informez-vous sur les systèmes de recyclage ou de mise au rebut prévus par les règlements, en vigueur dans votre pays, pour cette catégorie de produit.

Attention ! – certains composants du produit peuvent contenir des substances polluantes ou dangereuses qui pourraient avoir des effets nuisibles sur l'environnement et sur la santé des personnes s'ils étaient jetés dans la nature.

Comme l'indique le symbole ci-contre, il est interdit de jeter ce produit avec les ordures ménagères. Par conséquent, utiliser la méthode de la "collecte sélective" pour la mise au rebut des composants conformément aux prescriptions des normes en vigueur dans le pays d'utilisation ou restituer le produit au vendeur lors de l'achat d'un nouveau produit équivalent.

Attention ! – les règlements locaux en vigueur peuvent appliquer de lourdes sanctions en cas d'élimination illicite de ce produit.



Qui faire si ... (guide pour la résolution des problèmes)

Le moteur ne bouge pas bien qu'une phase de Montée ou de Descente soit alimentée :

- 1) vérifier si la protection thermique est intervenue : dans ce cas, il suffit d'attendre que le moteur refroidisse ;
 - 2) vérifier si la tension de secteur est présente et si elle correspond aux valeurs figurant sur la plaque du moteur ;
 - 3) vérifier si les deux fins de course s'activent en même temps à cause d'une erreur de réglage ; dans ce cas tourner les deux vis de réglage de quelques tours, vers le signe « + ».
- Si après ces contrôles le moteur ne bouge pas, s'adresser à un technicien qualifié, ou contacter le Service après-vente Nice.

Caractéristiques techniques

● **Tension d'alimentation et fréquence ; Courant et puissance ; Couple et vitesse** : voir données techniques sur l'étiquette de chaque modèle. ● **Diamètre du moteur** : 45 mm (Era S: 35 mm). ● **Temps nominal de fonctionnement** : maximum 4 minutes. ● **Indice de protection** : IP 44 (moteur tubulaire). ● **Température de fonctionnement** : -20°C (minimum). ● **Longueur câble de connexion** : 2,5 m.

Notes :

- Toutes les caractéristiques techniques indiquées se réfèrent à une température ambiante de 20°C (± 5°C).
- Nice s.p.a. se réserve le droit d'apporter des modifications aux produits à tout moment si elle le jugera nécessaire, en garantissant dans tous les cas le même bon fonctionnement et le type d'utilisation prévus.

1 ADVERTENCIAS Y PRECAUCIONES DE SEGURIDAD

1.1 - Advertencias de seguridad

- **¡ATENCIÓN!** – Es importante respetar estas instrucciones para garantizar la seguridad de las personas. Una instalación incorrecta puede provocar heridas graves a las personas. Por lo tanto, antes de comenzar a trabajar es necesario leer detenidamente todas las partes del manual y, si tuviera dudas, solicitar explicaciones al Servicio de Asistencia Nice.
- **¡ATENCIÓN!** – Instrucciones importantes para la seguridad; conserve estas instrucciones. Guarde este manual para cuando deba llevar a cabo los trabajos de mantenimiento o cuando deba eliminar el producto.

1.2 - Advertencias para la instalación

- **Todas las operaciones de instalación, conexión, programación y mantenimiento del producto deben ser llevadas a cabo exclusivamente por un técnico cualificado y competente, respetando las leyes, normativas y reglas locales y las instrucciones dadas en este manual.**
- Antes de comenzar la instalación, controle si el producto es adecuado para automatizar la persiana o el toldo (lea el capítulo 3).
- Todas las operaciones de instalación y mantenimiento del producto deben ser llevadas a cabo con el automatismo desconectado de la alimentación eléctrica. Por motivos de precaución, cuelgue del dispositivo de desconexión un cartel que indique "¡ATENCIÓN! MANTENIMIENTO EJECUTÁNDOSE".

- Antes de comenzar los trabajos de instalación, aleje todos los cables eléctricos innecesarios; desactive todos los mecanismos superfluos para el funcionamiento motorizado de la persiana o del toldo.
- Si el producto se instalara a menos de 2,50 m de altura del suelo, o de otra superficie de apoyo, es necesario proteger con una cubierta las piezas móviles para que no puedan ser tocadas accidentalmente. Para la protección, consulte el manual de instrucciones de la persiana/toldo, garantizando siempre el acceso para los trabajos de mantenimiento.
- En los toldos es necesario garantizar una distancia horizontal mínima de 40 cm entre el toldo completamente abierto y un objeto fijo colocado delante.
- Durante la instalación manipule con cuidado el producto: trate de evitar aplastamientos, golpes, caídas o contactos con cualquier líquido; no introduzca objetos puntiagudos en el motor; no perforo ni aplique tornillos en la parte exterior del motor; no coloque el producto cerca de fuentes de calor y no lo exponga al fuego (fig. 2).

Esto podría averiar el producto y provocar desperfectos de funcionamiento o situaciones peligrosas. En estos casos, suspenda inmediatamente la instalación y contacte con el Servicio de Asistencia Nice.

- Desmonte el producto únicamente como indicado en este manual.
- No realice modificaciones en ninguna pieza del producto, salvo aquellas indicadas en este manual. Las operaciones no permitidas pueden provocar desperfectos de funcionamiento. El fabricante no se asumirá ninguna responsabilidad por daños originados por modificaciones arbitrarias hechas al producto.
- El cable de alimentación del producto es de PVC y sirve sólo para ser instalado en interiores. Si la instalación se realizara en exteriores, cubra todo el cable con un tubo de protección.
- Si el cable de alimentación estuviera averiado, el producto no podrá ser utilizado porque el cable no puede ser sustituido. En estos casos, contacte con el Servicio de Asistencia Nice.
- No utilice más de un dispositivo de mando para cada motor tubular y no utilice un dispositivo de mando para varios motores tubulares (fig. 3). A tal fin, utilice el accesorio "TTE" de Nice.
- Durante la instalación, mantenga las personas lejos de la persiana o del toldo cuando estén en movimiento.
- Para accionar el producto utilice únicamente los botones

que funcionan con el sistema de "hombre presente", es decir aquellos que hay que mantener pulsados durante todo el movimiento.

- El material de embalaje del producto debe eliminarse respetando la normativa local.

1.3 - Advertencias para el uso

- El producto no está destinado para ser utilizado por personas (niños incluidos) cuyas capacidades físicas, sensoriales o mentales sean reducidas, o sin experiencia ni conocimientos, salvo que éstas estén acompañadas por una persona responsable de su seguridad o hayan sido instruidas sobre el uso del producto.
- No permita que los niños jueguen con los dispositivos de mando fijos.
- Tenga cuidado con el elemento enrollable mientras se mueve y manténgase alejado hasta que concluya su movimiento.
- **Para el mod. E MH / E LH** – Cuando se utiliza el mecanismo para la maniobra manual de emergencia, si la persiana está levantada, tenga mucho cuidado porque podría caerse rápidamente a causa de los muelles muy débiles o rotos.
- Cuando limpie los vidrios cerca del automatismo, no accione los dispositivos de mando; si dichos dispositivos son automáticos, desconecte la alimentación eléctrica.
- Examine a menudo el automatismo para comprobar si está desequilibrado o desgastado o si los cables y los muelles están dañados (en su caso). No utilice el automatismo si necesitara ser regulado o reparado; contacte exclusivamente con personal especializado para solucionar estos problemas.

2 DESCRIPCIÓN DEL PRODUCTO Y USO PREVISTO

El producto es un motor tubular destinado a la automatización de una persiana, un toldo o un screen solar. **¡Cualquier otro uso está prohibido! El fabricante no responde de los daños que pudieran surgir por un uso inadecuado del producto y diferente de aquel previsto en este manual.**

Las características del producto son las siguientes:
- la alimentación es mediante la red eléctrica de 230 V;

- los movimientos de Subida y Bajada de la persiana/toldo se activan con botones de pared (dispositivos no incluidos en el paquete); asimismo el mod. **E MH / E LH** incorpora un mecanismo para la maniobra manual de emergencia que se deberá utilizar en caso de corte de energía eléctrica;
- incorpora un sistema electromecánico que interrumpe automáticamente la alimentación cuando el elemento enrollable alcanza las posiciones de fin de carrera configuradas (**fig. 4**): posición "0" (elemento totalmente enrollado) y posición "1" (elemento totalmente desenrollado);
- el motor tubular se instala completamente en el interior del tubo de enrollamiento y la cara exterior del producto puede fijarse directamente al costado del cofre, o bien utilizando estribos de soporte específicos (no incluidos en el paquete);
- el producto ha sido diseñado para uso residencial y, por lo tanto, para un uso discontinuo. De todas maneras, garantiza un tiempo de funcionamiento continuo de 4 minutos como máximo;
- incorpora un protector térmico que, en caso de sobrecalentamiento debido a un uso superior a los límites previstos, interrumpe automáticamente la alimentación eléctrica y la restablece ni bien la temperatura se normaliza.
- durante los trabajos de instalación y regulación, cuando aún no están hechas las conexiones eléctricas definitivas, es posible accionar el motor tubular con la unidad "TTU" (**fig. 6**).

3 INSTALACION DEL PRODUCTO

3.1 - Controles preliminares – límites de empleo

¡Atención! – Antes de comenzar la instalación, controle los siguientes aspectos.

- Este producto está disponible en varias versiones, cada una de ellas con un determinado par del motor. Cada una de las versiones ha sido diseñada para automatizar elementos enrollables con determinadas características de dimensiones y peso. Por consiguiente, antes de proceder con la instalación, consulte la "Guía para la elección" presente en el catálogo de los productos Nice (www.niceforyou.com) para comprobar que las característi-

cas de dicho motor (par, velocidad de rotación y tiempo de funcionamiento) sean adecuadas para automatizar su elemento enrollable. **¡Atención!** - No instale un motor con una capacidad de par superior a aquella necesaria para mover el elemento enrollable.

- Compruebe el diámetro interior de su tubo de enrollamiento, teniendo presente que para el motor **E S** el diámetro mínimo del tubo de enrollamiento, debe ser de 40 mm, mientras que para los motores **E M**, **E MH**, **E LH** el diámetro interior mínimo del tubo de enrollamiento debe ser de 52 mm.

3.2 - Instalación del motor tubular

Para instalar el producto, siga las etapas que se muestran en la **fig. 7** y tenga en cuenta las siguientes **advertencias**:

- La instalación incorrecta puede provocar heridas graves.
- **Para el mod. E MH / E LH:** la empuñadura del mecanismo que permite llevar a cabo la maniobra manual de emergencia debe estar situada a una altura inferior a 1,8 m.

4 CONEXIONES ELÉCTRICAS

4.1 - Instalación de los dispositivos de protección en la red de alimentación eléctrica

En conformidad con las reglas de instalación eléctrica, es preciso que la red que alimenta el motor cuente con un dispositivo de protección contra cortocircuitos y con un dispositivo de desconexión de la red eléctrica.

¡Atención! – El dispositivo de desconexión debe permitir la desconexión completa de la alimentación, en las condiciones establecidas en la categoría de sobretensión III.

El dispositivo de desconexión debe estar puesto en un lugar visible del sistema de automatización y, de no ser así, debe llevar un sistema que permita bloquear cualquier reconexión accidental o no autorizada de la alimentación, para evitar riesgos.

Nota – Estos dos dispositivos no se encuentran en el embalaje.

4.2 - Instalación de una botonera de pared

Advertencias:

- Sitúe la botonera de manera que se vea en la persiana enrollable pero lejos de sus partes en movimiento.
- Sitúe la botonera en el lado de la persiana enrollable donde se encuentran el cable eléctrico del motor tubular y el cable de alimentación que proviene de la red eléctrica.
- Sitúe los pulsadores a una altura de más de 1,5 m desde el suelo.

4.3 - Conexión del motor a una botonera de mando y a la red eléctrica

¡Atención!

- Una conexión incorrecta puede provocar averías o situaciones de peligro; por tanto, respete rigurosamente las instrucciones recogidas en esta sección. Si tuviera dudas, no pruebe inútilmente, sino que consulte las fichas técnicas disponibles también en la página web www.niceforyou.com.
- Si el cable de alimentación está estropeado, el producto no puede utilizarse porque el cable no puede sustituirse. En estos casos, póngase en contacto con el Servicio de Asistencia Técnica.

Desde el punto de vista eléctrico el motor debe alimentarse de manera continua mediante una conexión permanente a la red de distribución eléctrica de 230V. Para conectar el motor a una botonera de mando y a la red eléctrica, tome como referencia la **fig. 5**. Los conductores del cable de conexión tienen las siguientes funciones:

- **Color Marrón** = Fase eléctrica de subida o bajada.
- **Color Negro** = Fase eléctrica de subida o bajada.
- **Color Azul** = Común (generalmente conectado al Neutro).
- **Color Amarillo-Verde** = Tierra (conexión equipotencial de protección).

4.4 - Combinación de los movimientos de Subida y Bajada con los botones respectivos

Al concluir las conexiones, alimente el motor y controle si los movimientos de Subida y Bajada están combinados correctamente con los botones de mando respectivos. Si así no fuera, invierta la conexión entre los conductores

5 REGULACIÓN DE LOS FINES DE CARRERA

5.1 - Los fines de carrera para apertura y cierre

Durante el movimiento de subida y bajada el motor detiene automáticamente el elemento enrollable cuando éste alcanza las posiciones de fin de carrera (**fig. 4**): posición "0" (elemento totalmente enrollado) y posición "1" (elemento totalmente desenrollado). Estas posiciones se configuran en fábrica de forma aproximativa y, para adecuarlas a las dimensiones específicas de su elemento enrollable, hay que utilizar el procedimiento descrito a continuación.

5.2 - Cómo regular primero el fin de carrera "0" y después el fin de carrera "1"

01. Coloque el elemento enrollable en posición "1".

Aople los tornillos de regulación con los fines de carrera correspondientes:

02. Colóquese frente al elemento enrollable y observe:

a) ¿En qué extremo del tubo se hallan los tornillos de regulación del fin de carrera: a la derecha o a la izquierda?

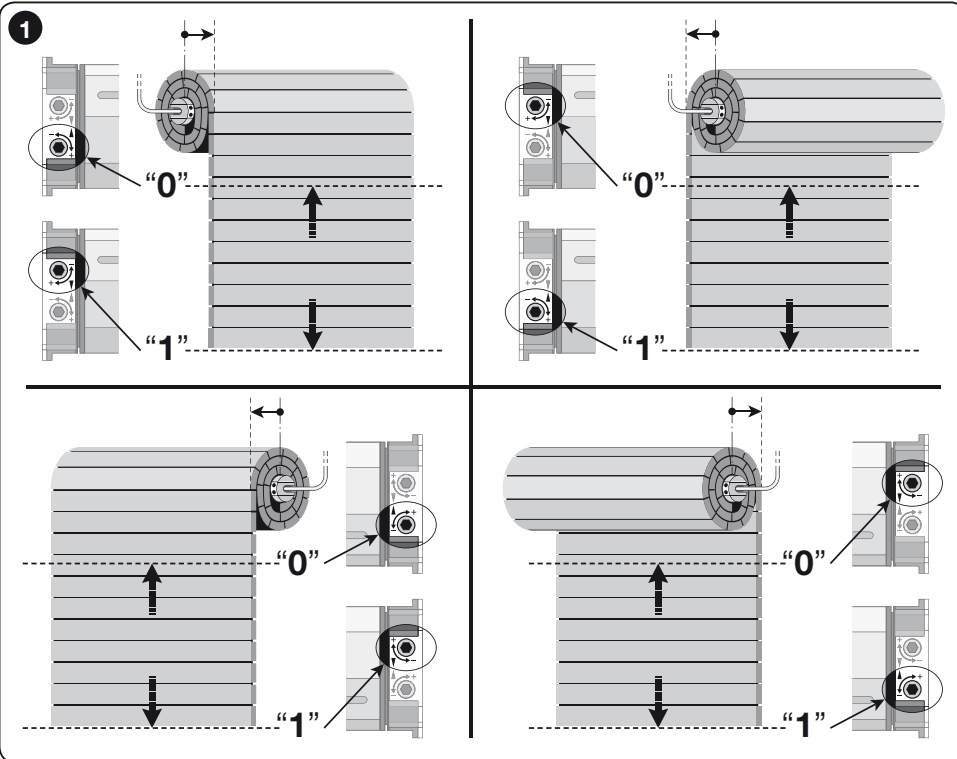
b) si la parte desenrollada del elemento se encuentra adelante o detrás del tubo.

03. Entonces, observe la **fig. 1** y localice entre los esquemas indicados aquel que corresponda a la situación a) y b) observada en su instalación. **Muy importante - El esquema asigna a cada tornillo de regulación un fin de carrera determinado que éste ha de regular.**

Regulación del fin de carrera "0":

04. Accione el elemento enrollable de manera que se mueva hacia la posición "0" y espere a que el motor se detenga a causa del accionamiento del fin de carrera prerregulado en fábrica.

¡Atención! - Si el elemento enrollable supera el punto en que se desea configurar el fin de carrera "0", detenga el movimiento; entonces, accione el elemento enrollable para hacerlo volver a la posición inicial; gire algunas vueltas, en dirección al signo "-", el tornillo de



regulación correspondiente al fin de carrera "0" y, por último, repita el procedimiento desde el punto 04.

05. Gire un poco cada vez, en dirección al signo "+", el tornillo de regulación correspondiente al fin de carrera "0", hasta obtener la posición de parada "0" deseada.

Nota - con cada vuelta de tornillo el motor avanza, deteniéndose en la nueva posición.

Regulación del fin de carrera "1":

06. Gire algunas vueltas, en dirección del signo "-", el torni-

llo de regulación correspondiente al fin de carrera "1".

07. Accione el elemento enrollable de manera que se mueva hacia la posición "1" y espere a que el motor se detenga a causa del accionamiento del fin de carrera prerregulado en fábrica.

¡Atención! - Si el elemento enrollable supera el punto en que se desea configurar el fin de carrera "1", detenga el movimiento; entonces, accione el elemento enrollable para hacerlo volver a la posición inicial; gire

algunas vueltas, en dirección al signo “-”, el tornillo de regulación correspondiente al fin de carrera “1” y, por último, repita el procedimiento desde el punto 07.

08. Gire un poco cada vez, en dirección al signo “+”, el tornillo de regulación correspondiente al fin de carrera “1”, hasta obtener la posición de parada “1” deseada.
Nota - con cada vuelta de tornillo el motor avanza, deteniéndose en la nueva posición.

Maniobra manual de emergencia (sólo para el mod. E MH / E LH)

El mod. **E MH / E LH** está equipado con un mecanismo fijado en la cabeza del motor (**fig. 7-f**) que permite que el usuario realice una maniobra manual de emergencia girando la manivela hacia un lado o hacia el otro. Para no desgastar inútilmente el mecanismo se aconseja utilizarlo sólo en caso de emergencia, es decir, en caso de corte de energía eléctrica.

¡Atención! – Durante esta maniobra la persiana / el toldo **NO** deberá superar los límites de los fines de carrera “0” y “1” configurados durante la instalación del producto.

Eliminación del producto

Este producto forma parte integrante del automatismo y, por consiguiente, deberá ser eliminado junto con éste.

Al igual que para las operaciones de instalación, también al final de la vida útil de este producto las operaciones de desguace deberán ser llevadas a cabo por personal experto. Este producto está formado de varios tipos de materiales: algunos podrán ser reciclados y otros deberán ser eliminados. Infórmese sobre los sistemas de reciclaje o de eliminación previstos por las normativas vigentes locales para esta categoría de producto.

¡Atención! – algunas piezas del producto pueden contener sustancias contaminantes o peligrosas que, si se las abandonara en el medio ambiente, podrían provocar efectos perjudiciales para el mismo medio ambiente y para la salud humana. Tal como indicado por el símbolo de aquí al lado, está prohibido arrojar este producto en los residuos urbanos. Realice la “recogida selectiva” para la eliminación, según los métodos previstos por las normativas vigentes locales, o bien entregue el producto al vendedor cuando compre un nuevo producto equivalente.

¡Atención! – las normas locales vigentes pueden prever sanciones importantes en el caso de eliminación abusiva de este producto.



Qué hacer si... (guía para solucionar los problemas)

El motor no se mueve a pesar de que esté alimentada una fase de Subida o Bajada:

- 1) podría haberse desconectado la protección térmica; en dicho caso hay que esperar a que el motor se enfríe.
- 2) controle que haya tensión de red y si ésta corresponde a los valores indicados en la placa de características del motor;
- 3) controle si los dos fines de carrera se activan contemporáneamente debido a una regulación incorrecta; en este caso, gire los dos tornillos de regulación algunas vueltas hacia la dirección del signo “+”.

Si después de estos controles el motor no se mueve, contacte con un técnico cualificado o bien contacte con el Servicio de Asistencia Nice.

Características técnicas

● **Tensión de alimentación y frecuencia; corriente y potencia; par y velocidad:** Véanse los datos técnicos en la etiqueta de cada modelo. ● **Diámetro del motor:** 45 mm (E S: 35 mm). ● **Tiempo nominal de funcionamiento:** máximo 4 minutos. ● **Grado de protección:** IP 44 (motor tubular). ● **Temperatura de funcionamiento:** -20°C (mínimo). ● **Longitud del cable de conexión:** 2,5 m.

Notas:

- Todas las características técnicas indicadas se refieren a una temperatura ambiental de 20°C (± 5°C).
- Nice S.p.a se reserva el derecho de modificar el producto en cualquier momento en que lo considere necesario, manteniendo las mismas funcionalidades y el mismo uso previsto.

1 HINWEISE UND VORSICHTSMASSNAHMEN FÜR IHRE SICHERHEIT

1.1 - Hinweise für Ihre Sicherheit

- **ACHTUNG! – Für die Sicherheit von Personen ist es wichtig, sich an diese Anweisungen zu halten.** Eine falsche Installation kann schwerwiegende Verletzungen der Personen hervorrufen. Somit müssen alle Teile des Handbuchs vor dem Beginn der Arbeiten aufmerksam gelesen werden und im Falle eines Zweifels mit dem Kundendienst von Nice Kontakt aufgenommen werden.
- **ACHTUNG! – Für die Sicherheit wichtige Anweisungen – aufbewahren!** Dieses Handbuch für eventuelle zukünftige Wartungsarbeiten und zur Entsorgung des Produkts aufbewahren.

1.2 - Hinweise für die Installation

- **Alle Installationen, Anschlüsse, Programmierungen und Wartungen des Produkts dürfen nur von qualifiziertem und kompetentem Personal bei Einhaltung der Gesetze, der örtlichen Vorschriften und der in diesem Handbuch aufgeführten Anleitungen ausgeführt werden.**
- Vor dem Beginn der Installation prüfen, ob dieses Produkt dazu geeignet ist, Ihren Rollladen zu automatisieren (siehe Kapitel 3).
- Alle Installations- und Wartungsarbeiten des Produkts müssen bei von der Stromspeisung getrennter Automatisierung ausgeführt werden. Zur Sicherheit an den Trennvorrichtungen ein Schild mit der Aufschrift „ACHTUNG! WARTUNGSGARBEITEN“ anbringen.
- Vor dem Beginn der Installationsarbeiten alle Stromkabel entfernen, die nicht zur Arbeit gehören, außerdem alle zum Betrieb des Rollladens notwendigen Mechanismen deaktivieren.

- Wenn das Produkt bei einer Höhe unter 2,5 vom Boden oder auf einer anderen Auflagefläche installiert wird, müssen seine sich bewegenden Teile mit einer Abdeckung geschützt werden, um einen unerwünschten Zugang zu vermeiden. Bezüglich des Schutzes bezieht man sich auf die Gebrauchsanleitung des Rollladens, wobei jedoch der Zugang für Wartungsarbeiten gewährleistet werden muss.
- Bei Markisen ist es dagegen notwendig, einen waagrechtchen Mindestabstand von 40 cm zwischen der vollständig geöffneten Jalousie und einem eventuell davor liegenden festen Gegenstand zu garantieren.
- Während der Installation das Produkt vorsichtig behandeln: Quetschungen, Stöße, Herunterfallen oder Kontakte mit jeglichen Flüssigkeiten vermeiden; keine spitzen Gegenstände in den Motor bringen; nicht durchbohren und keine Schrauben außerhalb des Motors anbringen; das Produkt nicht in die Nähe von Wärmequellen bringen und keinen offenen Flammen aussetzen (**Abb. 2**).

Diese Ereignisse können das Produkt beschädigen und die Ursache für eine mangelhafte Funktion oder gefährliche Situationen sein. In diesen Fällen die Installation sofort unterbrechen und sich an den Kundendienst von Nice wenden.

- Das Produkt nicht mehr zerlegen, als in diesem Handbuch angegeben ist.
- Keine Änderungen an den Produktbestandteilen ausführen, außer den in diesem Handbuch angegebenen. Nicht zugelassene Vorgänge führen zu Funktionsstörungen. Der Hersteller lehnt jede Verantwortung für Schäden durch willkürliche Änderungen des Produkts ab.
- Das Speisungskabel des Produkts ist aus PVC und nur für Installationen in Innenbereichen geeignet. Wenn die Installation in Außenbereichen erfolgt, muss das ganze Kabel mit einer Schutzhülle bedeckt werden.
- Wenn das Speisungskabel beschädigt ist, darf das Produkt nicht benützt werden, da das Kabel nicht ersetzt werden kann. In diesen Fällen mit dem Kundendienst von Nice Kontakt aufnehmen.
- Nicht mehr als eine Steuervorrichtung für einen einzelnen Rohrmotor und keine einzelne Steuervorrichtung für mehrere Rohrmotoren verwenden (**Abb. 3**). Für diesen Zweck das hierfür vorgesehene Zubehörlteil „TTE“ von Nice benützen.
- Während der Ausführung der Anlage, alle Personen vom Rollladen entfernt halten, wenn dieser in Bewegung ist.
- Zur Steuerung des Produkts ausschließlich Druckknöpfe

verwenden, die eine „Todmannfunktion“ aufweisen, bzw. die über die ganze Bewegungsdauer gedrückt werden müssen.

- Das Verpackungsmaterial des Produkts muss bei vollständiger Einhaltung der örtlichen Vorschriften entsorgt werden.

1.3 - Hinweise für den Gebrauch

- Das Produkt darf nicht von Personen (einschließlich Kindern) verwendet werden, deren physische, empfindungsbezogene oder geistige Fähigkeiten eingeschränkt sind, oder die keine Erfahrung oder Kenntnisse besitzen, außer wenn diese mittels einer für ihre Sicherheit verantwortlichen Person überwacht werden oder Anleitungen über die Anwendung des Produkts erhalten haben.
- Kinder dürfen nicht mit den festen Steuerungen der Automatisierung spielen.
- Auf den Rollladen achten, wenn dieser in Bewegung ist und sich von diesem entfernt halten, bis die vorliegende Bewegung abgeschlossen ist.
- **Für Mod. E MH / E LH** – Wenn der Mechanismus für die manuelle Notbedienung verwendet wird und der Rollladen oben ist, höchste Aufmerksamkeit schenken, da dieser aufgrund zu schwacher oder defekter Federn schnell herunter fallen könnte.
- Wenn die Scheiben in der Nähe der Automatisierung gereinigt werden, dürfen die Steuervorrichtungen nicht betätigt werden; wenn diese automatisch sind, muss auch der Strom ausgeschaltet werden.
- Die Automatisierung häufigen Prüfungen unterziehen, um zu sehen, ob Störungen oder Verschleißspuren oder Schäden an Kabeln und Federn vorliegen (wenn diese vorhanden sind). Die Automatisierung nicht verwenden, wenn sie eingestellt oder repariert werden muss; wenden Sie sich bitte ausschließlich an spezialisiertes technisches Personal, um diese Probleme zu lösen.

2 BESCHREIBUNG DES PRODUKTS UND VERWENDUNGSZWECK

Das Produkt ist ein Rohrmotor für die Automatisierung eines Rollladens, einer Markise oder eines Sonnenschutzes. **Jeder anderer Gebrauch ist untersagt! Der Hersteller ist nicht für Schäden durch einen unsachgemä-**

Ben Gebrauch des Produkts verantwortlich, der von den Angaben dieses Handbuchs abweicht.

Das Produkt weist die folgenden Eigenschaften auf:

- es wird vom Stromnetz bei 230V gespeist;
- es ist in der Lage, den Rollladen mithilfe von an der Wand angebrachten Druckknöpfen anzuheben und zu senken (nicht in der Verpackung enthaltene Vorrichtungen); außerdem ist das Mod. **E MH / E LH** auch mit einem Mechanismus für die Notfall-Handbetätigung ausgestattet, der im Falle eines Stromausfalls genützt wird;
- Er ist mit einem elektromechanischen System ausgestattet, das automatisch die Stromversorgung unterbricht, wenn der Rollladen die eingestellten Endlaufpositionen erreicht (**Abb. 4**): Position „0“ (ganz aufgerollter Rollladen) und Position „1“ (ganz abgerollter Rollladen);
- der ganze Rohrmotor wird innerhalb der Aufrollrolle installiert und die Außenseite dieses Produkts kann direkt an der Seite des Kastens oder mithilfe entsprechender Haltebügel befestigt werden (nicht in der Verpackung enthalten);
- es ist für Wohngebäude entwickelt worden und somit nicht für einen Dauerbetrieb gedacht. Es garantiert jedoch eine durchgehende Betriebszeit von höchstens 4 Minuten.
- Das Produkt ist mit einem Thermoschutzschalter ausgestattet, der im Falle einer Überhitzung aufgrund einer Anwendung der Automatisierung über den vorgesehenen Limits automatisch die Stromspeisung unterbricht und sie erst wieder herstellt, wenn sich die Temperatur normalisiert hat.
- Für den Fall, dass die definitiven elektrischen Anschlüsse noch nicht vorhanden sind, kann der Antrieb bei den Installations- und Einstellungsarbeiten über die eigens dazu bestimmte „**TTU**“-Einheit (**Abb. 6**) gesteuert werden.

3 INSTALLATION DES PRODUKTS

3.1 - Vorprüfungen - Anwendungslimits

Achtung! - Vor der Installation die folgenden Aspekte prüfen.

- Dieses Produkt steht in verschiedenen Ausführungen zur Verfügung. Jede Ausführung dient für ein bestimmtes Drehmoment. Jede Ausführung wurde entwickelt, um

Rollläden mit bestimmten Eigenschaften und Abmessungen und Gewichte zu automatisieren. Vor der Installation bezieht man sich auf die „Auswahlanleitung“ im Katalog der Nice-Produkte (www.niceforyou.com), um zu prüfen, ob die Eigenschaften dieses Motors (Drehmoment, Drehgeschwindigkeit und Betriebszeit) für die Automatisierung Ihres Rollladens geeignet sind. **Achtung! - Keinen Motor mit einem Drehmoment über dem notwendigen installieren, um Ihren Rollladen zu bewegen.**

- Den Innendurchmesser Ihrer Rolle überprüfen, dabei ist zu berücksichtigen, dass der minimale Innendurchmesser der Rolle des Motors **E S** 40 mm betragen muss, während der minimale Innendurchmesser der Rolle der Motoren **E M, E MH, E LH** 52 mm betragen muss.

3.2 - Installation des Rohrmotors

Um das Produkt zu installieren, die in **Abb. 7** gezeigten Phasen befolgen und die folgenden **Hinweise** beachten:

- Die falsche Installation kann schwerwiegende Verletzungen hervorrufen.
- **Für Mod. E MH / E LH:** der Griff des Mechanismus, der die manuelle Notbedienung ermöglicht, muss auf einer Höhe unter 1,8 m angebracht werden.

4 STROMANSCHLÜSSE

4.1 - Installation der Schutzvorrichtungen innerhalb des Stromnetzes

In Übereinstimmung mit den Vorschriften für elektrische Installationen müssen im Stromversorgungsnetz des Motors ein Kurzschlusschutz und ein Lasttrennschalter installiert werden.

Achtung! – Die Trennvorrichtung muss entsprechend den Bedingungen der Überspannungskategorie III die vollständige Trennung von der Stromversorgung ermöglichen.

Der Lasttrennschalter muss vom Antrieb aus sichtbar sein. Im gegenteiligen Fall ist ein System zu installieren, das einen versehentlichen oder nicht autorisierten Anschluss der Netzspannung verhindert, um jede mögliche Gefahr auszuschließen.

Hinweis – Die zwei Vorrichtungen sind nicht in der Verpackung enthalten.

4.2 - Wandinstallation der Bedienschalter

Warnhinweise:

- Installieren Sie das Schaltermodul in Sichtweite des Rollladens, jedoch fern von seinen Bewegungsteilen.
- Positionieren Sie die Bedienschalter an der Seite des Rollladens, an der sich das Anschlusskabel des Rohrmotors und das Netzkabel befinden.
- Bringen Sie die Schalter in mindestens 1,5 m Höhe über dem Boden an.

4.3 - Anschluss des Motors an eine Steuerdruckknopftafel und an das Stromnetz

Achtung!

- Ein falscher Anschluss kann Betriebsstörungen oder gefährliche Situationen verursachen: Halten Sie sich strikt an die Anweisungen dieses Abschnitts. Im Zweifelsfall keine unnützen Versuche unternehmen, sondern die technischen Blätter zu Rate ziehen, die auch im Internet unter www.niceforyou.com zur Verfügung stehen.
- Bei Beschädigung des Netzkabels kann das Produkt nicht benutzt werden, da das Kabel nicht auswechselbar ist. In diesem Fall verständigen Sie bitte den technischen Kundendienst.

Vom elektrischen Standpunkt aus, muss der Motor über einen Daueranschluss mit dem 230V Stromnetz immer versorgt bleiben. Um den Motor an eine Steuerdruckknopftafel und an das Stromnetz anzuschließen, bezieht man sich auf **Abb. 5**. Die Leiter des Anschlusskabels werden wie folgt verwendet:

- **Braun** = elektrische Anstiegs- oder Senkphase.
- **Schwarz** = elektrische Anstiegs- oder Senkphase.
- **Blau** = gemeinsamer Leiter (im Allgemeinen mit dem Nullleiter verbunden).
- **Gelb/Grün** = Erde (äquipotentielle Schutzverbindung).

4.4 - Zuweisung der Anstiegs- und Senkbewegungen an die jeweiligen Druckknöpfe

Am Ende der Anschlüsse den Motor einschalten und prüfen, ob die Anstiegs- und Senkbewegungen korrekt mit den jeweiligen Steuerdruckknöpfen verbunden sind. Wenn dies nicht der Fall ist, den Anschluss unter den **Braunen** und **Schwarzen** Leitern umkehren.

5 EINSTELLUNG DER ENDANSCHLÄGE

5.1 - Endanschläge beim Schließen und Öffnen

Während der Auf- und Abwärtsbewegung stoppt der Motor die Rolle automatisch, wenn diese die Endlaufpositionen erreicht (**Abb. 4**): Position „0“ (ganz aufgerollter Rollladen) und Position „1“ (ganz abgerollter Rollladen). Werkseitig werden diese Positionen annähernd befestigt, und um sie den spezifischen Abmessungen Ihrer Rolle anzupassen, ist das nachfolgend beschriebene Verfahren zu verwenden.

5.2 - Wie ist zuerst der erste Endanschlag „0“ und dann der Endanschlag „1“ einzustellen

01. Die Rolle in die Position „1“ verschieben.

Die Stellschrauben mit den entsprechenden Endanschlägen verbinden:

02. Stellen Sie sich vor die Rolle, und beobachten Sie:

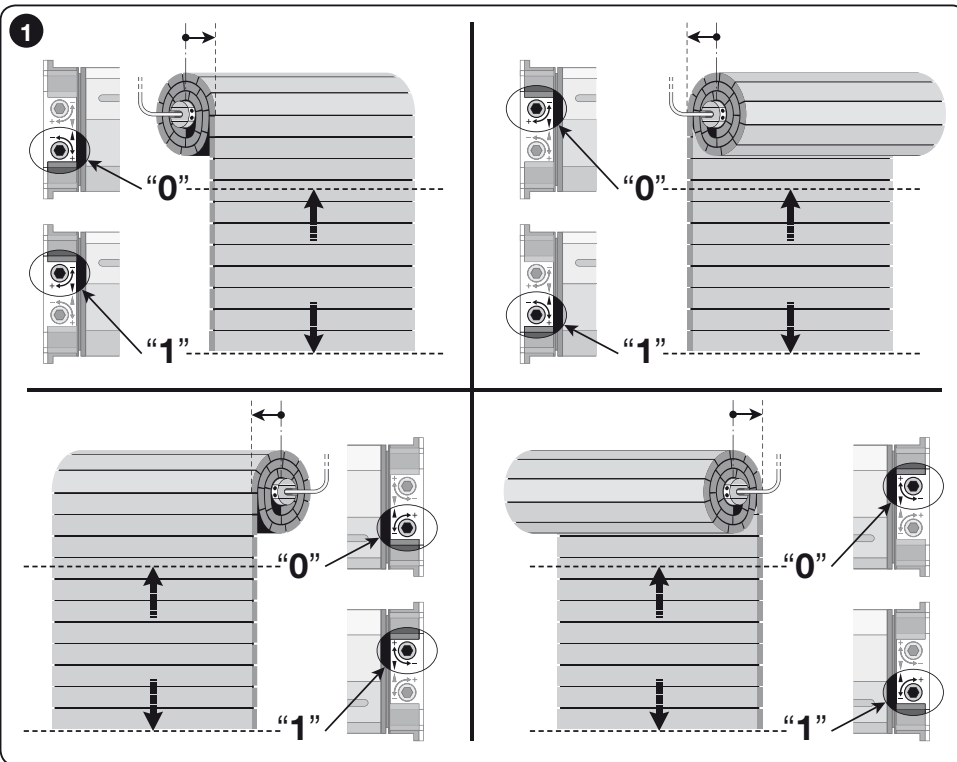
- An welchem Ende der Rolle sich die Stellschrauben der Endanschläge befinden: Rechts oder links?
- Ob sich der abgerollte Teil der Rolle vor oder hinter der Rolle befindet.

03. Dann schauen Sie sich die **Abb. 1** an und suchen in den aufgeführten Schemen das Schema, das der Situation a) und b) entspricht, welche bei Ihrer Installation beobachtet wurde. **Sehr wichtig - Das erfasste Schema verbindet jede Stellschraube mit einem entsprechenden Endanschlag, der dann einzustellen ist.**

Den Endanschlag „0“ einstellen:

04. Die Rolle so steuern, dass sich diese in Richtung der Position „0“ bewegen kann, und warten, bis der Motor für den Einschnitt des werkseitig voreingestellten Endanschlags anhält.

Achtung! – Wenn die Rolle den Punkt überschreitet, an dem der Endanschlag „0“ befestigt werden soll, die Bewegung stoppen; dann die Rolle steuern, sodass



sie in die Startposition zurückkehrt; die Stellschraube des Endanschlags „0“ ein paar Umdrehungen in Richtung des Zeichens „-“ drehen, und schließlich das Verfahren von Punkt 04 wiederholen.

05. Dann die Stellschraube des Endschalters „0“ allmählich in Richtung des Zeichens „+“ drehen, bis die gewünschte Anhaltstellung „0“ erreicht wird. **Hinweis** - bei jeder Schraubendrehung läuft der Motor weiter und hält in der neuen Position an.

Den Endanschlag „1“ einstellen:

06. Die Stellschraube des Endanschlags „1“ ein paar Umdrehungen in Richtung des Zeichens „-“ drehen.

07. Die Rolle so steuern, dass sich diese in Richtung der Position „1“ bewegen kann, und warten, bis der Motor für den Einschnitt des werkseitig voreingestellten Endanschlags anhält.

Achtung! – Wenn die Rolle den Punkt überschreitet,

an dem der Endanschlag „1“ befestigt werden soll, die Bewegung stoppen; dann die Rolle steuern, sodass sie in die Startposition zurückkehrt; die Stellschraube des Endanschlags „1“ ein paar Umdrehungen in Richtung des Zeichens „-“ drehen, und schließlich das Verfahren von Punkt 07 wiederholen.

08. Dann die Stellschraube des Endschalters „1“ allmählich in Richtung des Zeichens „+“ drehen, bis die gewünschte Anhaltstellung „1“ erreicht wird. **Hinweis** – bei jeder Schraubendrehung läuft der Motor weiter und hält in der neuen Position an.

Von Hand ausgeführte Notfallbewegung (nur für das Mod. E MH / E LH)

Das Mod. **E MH / E LH** ist mit einem im Zylinderkopf befestigten Mechanismus ausgestattet (**Abb. 7-f**), der dem Anwender ermöglicht, eine von Hand ausgeführte Notfallbewegung vorzunehmen, indem die Stange in die eine oder die andere Richtung gedreht wird. Um eine unnötige Abnutzung des Mechanismus zu vermeiden, empfehlen wir, diesen nur im Notfall und somit bei Stromausfall zu benutzen.

Achtung! – Während der Ausführung dieser Bewegung darf der Rollladen die Limits der Endanschläge „0“ und „1“ nicht überschreiten, die während der Installation des Produkts eingestellt wurden.

Entsorgung des Produkts

Dieses Produkt ist ein vervollständigender Teil der Automatisierung und muss somit gemeinsam entsorgt werden.

Wie bei den Installationsarbeiten müssen die Abrüstungsarbeiten am Ende der Lebensdauer des Produkts durch qualifiziertes Personal ausgeführt werden.

Dieses Produkt besteht aus verschiedenen Materialarten: Einige können recycelt, andere müssen entsorgt werden. Informieren Sie sich bitte über die Recycle- oder Entsorgungssysteme, die von den an Ihrem Ort geltenden Vorschriften für diese Produktkategorie vorgesehen sind.

Achtung! – Einige Produktteile können die Umwelt verschmutzende oder gefährliche Substanzen enthalten, die der Umwelt oder der Gesundheit der Menschen schaden könnten.

Wie durch das seitliche Symbol angezeigt, darf dieses Produkt nicht in den Hausmüll geworfen werden. Somit müssen die Regeln der „Mülltrennung“ gemäß den an Ihrem Ort geltenden Vorschriften eingehalten oder das Produkt an den Händler ausgehändigt werden, wenn ein gleichwertiges Produkt gekauft wird.

Achtung! – Die örtlich geltenden Bestimmungen sehen im Falle einer falschen Entsorgung dieses Produkts schwere Strafen vor.



Was ist zu tun, wenn... (Anleitung zur Problemlösung)

Der Motor bewegt sich nicht, obwohl eine Anstiegs- oder Senkphase gesteuert wurde:

- 1) prüfen, ob der Thermoschutz aktiviert ist; in diesem Fall abwarten, bis sich der Motor abgekühlt hat;
- 2) prüfen, ob Netzspannung vorliegt und ob diese den Werten des Motorendatenschildes entspricht;
- 3) Prüfen, ob die beiden Endanschläge aufgrund einer falschen Einstellung gleichzeitig aktiviert werden; in diesem Fall die beiden Einstellschrauben um einige Umdrehungen in Richtung des Zeichens „+“ drehen. Wenn sich der Motor nach diesen Kontrollen nicht bewegt, wenden Sie sich bitte an einen qualifizierten Techniker oder nehmen Sie mit dem Kundendienst Nice Kontakt auf.

Technische Eigenschaften

● **Betriebsspannung und Frequenz; Strom und Leistung, Drehmoment und Geschwindigkeit:** Siehe technische Daten auf dem Etikett jedes Modells. ● **Durchmesser des Motors:** 45 mm (E S: 35 mm). ● **Nennbetriebszeit:** Höchstens 4 Minuten. ● **Schutzgrad:** IP 44 (Rohrmotor). ● **Betriebstemperatur:** -20°C (min.). ● **Anschlusskabellänge:** 2,5 m

Anmerkungen:

- Alle aufgeführten technischen Eigenschaften beziehen sich auf eine Umgebungstemperatur von 20°C (± 5°C).
- Nice S.p.a. behält sich das Recht vor, jederzeit Änderungen am Produkt anzubringen.

1 INSTRUKCJE I ZALECENIA DOTYCZĄCE BEZPIECZEŃSTWA

1.1 - Zalecenia dotyczące bezpieczeństwa

- **UWAGA! – Ze względu na bezpieczeństwo osób ważne jest przestrzeganie niniejszej instrukcji.** Nieprawidłowo wykonana instalacja może skutkować poważnymi obrażeniami. Dlatego też przed rozpoczęciem pracy należy dokładnie przeczytać każdą część instrukcji i w przypadku wątpliwości zwrócić się o wyjaśnienia do Serwisu Technicznego Nice.
- **UWAGA! – Ważne instrukcje bezpieczeństwa; należy je starannie przechowywać.** Starannie przechowywać tę instrukcję w celu ułatwienia ewentualnych operacji konserwacji i utylizacji urządzenia.

1.2 - Zalecenia dotyczące instalacji

- **Wszelkie operacje instalacji, podłączania, programowania i konserwacji urządzenia muszą być wykonywane wyłącznie przez wykwalifikowanego i kompetentnego technika, stosownie do zaleceń, przepisów obowiązujących na danym terytorium oraz instrukcji dotyczących bezpieczeństwa zawartych w tej instrukcji obsługi.**
- Przed rozpoczęciem instalowania urządzenia sprawdź, czy jest ono odpowiednie dla zautomatyzowania rolety (przeczytaj rozdział 3).
- Wszelkie operacje instalowania i konserwacji urządzenia muszą być wykonywane po odłączeniu automatu od zasilania elektrycznego. Dla bezpieczeństwa zawiesz na urządzeniu wyłączającym tablicę z napisem "UWAGA! KONSERWACJA W TOKU".
- Przed rozpoczęciem czynności instalacyjnych usuń wszystkie przewody elektryczne niepotrzebne podczas pracy. Ponadto wyłącz wszystkie mechanizmy, które nie są potrzebne do zautomatyzowanego działania rolety.
- Jeśli urządzenie zostało zamontowane na wysokości po-

niżej 2,5 m od podłogi lub od innej powierzchni oparcia, konieczne jest zabezpieczenie ruchomych części automatyki, aby utrudnić przypadkowy dostęp do nich. W tym celu należy odwołać się do instrukcji obsługi rolety gwarantując w każdym przypadku dostęp podczas wykonywania czynności konserwacyjnych.

- Podczas montażu markiz należy zagwarantować odległość w linii poziomej co najmniej 40 cm od maksymalnego punktu otwarcia markizy do jakiegokolwiek przedmiotu stałego.
- Delikatnie obchodź się z urządzeniem podczas jego instalowania: chroni przed zgnieciem, uderzeniem, upadkiem lub kontaktem z jakiegokolwiek rodzaju płynami; nie wkładaj ostrych przedmiotów do silnika; nie wierć otworów i nie wkręcaj śrub wewnątrz silnika; nie umieszczaj urządzenia w pobliżu źródeł ciepła i nie wystawiaj go na działanie otwartego ognia (**rys. 2**).

Opisane wyżej sytuacje mogą powodować uszkodzenie urządzenia, być przyczyną nieprawidłowego działania lub spowodować zagrożenia. Jeśli jednak doszłoby do którejś z opisanych wyżej sytuacji, natychmiast przerwij montaż i zwróć się do Serwisu Technicznego Nice.

- Nie demontuj urządzenia wykonując operacje nieprzewidziane w tej instrukcji.
- Nie modyfikuj żadnej części urządzenia wykonując operacje odmiennie od tych, które zostały zamieszczone w tej instrukcji. Operacje niedozwolone mogą wyłącznie powodować nieprawidłowe funkcjonowanie. Producent zręka się wszelkiej odpowiedzialności za szkody, wynikające z samowolnie wykonywanych modyfikacji urządzenia.
- Przewód zasilający urządzenie jest wykonany z PVC i jest przeznaczony wyłącznie do montażu wewnętrznego. Jeśli instalacja jest wykonywana na zewnątrz, należy zabezpieczyć cały przewód rurą izolacyjną.
- Jeśli przewód zasilający jest uszkodzony należy wymienić całe urządzenie. Należy więc skontaktować się w tym celu z Serwisem Technicznym Nice.
- Nie używaj więcej niż jednego urządzenia sterującego do sterowania pojedynczym silnikiem rurowym i nie używaj pojedynczego urządzenia sterującego dla kilku silników rurowych (**rys. 3**). W tym przypadku należy zastosować specjalne urządzenie "TTE" Nice.
- Podczas realizacji instalacji nie pozwalaj innym osobom zbliżać się do rolety w przypadku, kiedy znajduje się w ona ruchu.
- Do sterowania urządzeniem używaj wyłącznie przycisków, które funkcjonują w trybie ręcznym "w obecności

operatora", to znaczy takich, które należy wcisnąć i przytrzymać przez cały czas trwania manewru.

- Opakowanie urządzenia musi być zlikwidowane zgodnie z odpowiednimi przepisami obowiązującymi na danym terytorium.

1.3 - Zalecenia dotyczące obsługi

- Urządzenie nie jest przeznaczone do użytku przez osoby (włącznie z dziećmi) o zredukowanych zdolnościach fizycznych, czuciowych i umysłowych lub nieposiadające doświadczenia lub znajomości, chyba że mogły one skorzystać, poprzez pośrednictwo osoby odpowiedzialnej za ich bezpieczeństwo, z nadzoru lub instrukcji dotyczących obsługi urządzenia.
- Nie pozwalaj dzieciom bawić się stałymi urządzeniami sterującymi automatyką.
- Zachowaj ostrożność podczas kiedy roleta znajduje się w ruchu i przebywaj w odpowiedniej odległości od niej, aż do zakończenia wykonywanego manewru.
- **Dla mod. E MH / E LH** – Zachowaj ostrożność podczas używania mechanizmu służącego do wykonywania ręcznego ruchu awaryjnego w przypadku, kiedy żaluzja jest podniesiona, ponieważ może ona gwałtownie spaść w wyniku działania sprężyn zbyt słabych lub pękniętych.
- W przypadku wykonywania prac mycia okien w pobliżu automatu nie należy włączać urządzeń sterujących; jeżeli są to urządzenia automatyczne należy również odłączyć zasilanie elektryczne.
- Często sprawdzaj automatykę, pod kątem utraty wyważenia, śladów zużycia lub uszkodzenia przewodów i sprężyn, (jeżeli występują). Nie używaj automatu, jeżeli wymaga on wykonania regulacji lub naprawy; w tym celu zwróć się wyłącznie do wyspecjalizowanego personelu technicznego.

2 OPIS URZĄDZENIA I JEGO PRZEZNACZENIE

Niniejsze urządzenie jest silnikiem rurowym przeznaczonym do automatyzacji rolet, markiz lub rolet przeciwistocnych. **Każde inne zastosowanie jest zabronione! Producent nie odpowiada za szkody wynikające z niewłaściwego używania urządzenia, odmiennego od opisanego w tej instrukcji.**

Urządzenie posiada następujące cechy charakterystyczne:

- jest zasilane z sieci elektrycznej 230 V;
- jest w stanie napędzać roletę podczas Podnoszenia i Opuszczania z pomocą przycisków ściennych (nie znajdujących się w opakowaniu); ponadto mod. **E MH / E LH** jest wyposażony również w mechanizm umożliwiający wykonywanie ruchu awaryjnego w trybie ręcznym, który należy wykorzystać w przypadku braku energii elektrycznej;
- jest wyposażony w system elektromechaniczny, który automatycznie przerywa zasilanie w przypadku, kiedy roleta dociera do ustawionych ograniczników położenia (**rys. 4**): pozycja "0" (roleta całkowicie zwinięta) oraz pozycja "1" (roleta całkowicie rozwinięta);
- silnik rurowy jest instalowany wewnątrz rury nawijającej, zewnętrzna strona urządzenia może zostać przymocowana bezpośrednio do boku skrzynki nadokiennej lub wykorzystując specjalne uchwyty wspornika (nie znajdujące się w opakowaniu);
- zostało zaprojektowane do użytku prywatnego i do pracy okresowej. Gwarantuje w każdym razie ciągły czas pracy maksymalnie 4 minuty;
- jest wyposażone w wyłącznik krańcowy, który w przypadku przegrzania spowodowanego przez nadmierne używanie automatu, automatycznie przerywa zasilanie elektryczne i przywróci je zaraz po powrocie temperatury do normalnych warunków.
- podczas prac instalacyjnych i regulacyjnych, kiedy nie ma jeszcze połączenia do sieci elektrycznej można sterować silownikiem jednostką sterującą "TTU" (**rys. 6**).

3 INSTALOWANIE URZĄDZENIA

3.1 - Weryfikacje wstępne instalacji - ograniczenia zastosowania urządzenia

Uwaga! – Przed przystąpieniem do montażu sprawdź następujące aspekty.

- Urządzenie jest dostępne w różnych wersjach, każda z nich posiada określony moment obrotowy. Każda wersja została zaprojektowana do automatyzacji rolet posiadających określone parametry wymiarowe i wagowe. W związku z tym przed przystąpieniem do montażu odwołaj się do "Przewodnika ułatwiającego wybór" znajdującęgo się w katalogu produktów Nice (www.niceforyou.com),

aby sprawdzić czy parametry tego silnika (moment obrotowy, prędkość obrotowa oraz czas pracy ciągłej) są odpowiednie do zautomatyzowania Twojej rolety.

Uwaga! - Nie instaluj silnika posiadającego większy moment obrotowy od tego, który jest niezbędny do przesuwania rolety.

- Sprawdź średnicę wewnętrzną swojej rury nawijającej, uwzględniając, że w przypadku silnika **E S** minimalna średnica wewnętrzna rury musi wynosić 40 mm, natomiast w przypadku silników **E M, E MH, E LH** - 52 mm.

3.2 - Montaż silnika rurowego

Aby zamontować urządzenie śledź fazy zilustrowane na **rys. 7** i uwzględnij następujące **zalecenia**:

- Nieprawidłowo wykonana instalacja może być przyczyną poważnych obrażeń.
- **Dla mod. E MH / E LH**: uchwyt mechanizmu umożliwiający wykonywanie ręcznego ruchu awaryjnego musi znajdować się na wysokości poniżej 1,8 m.

4 PODŁĄCZENIA ELEKTRYCZNE

4.1 - Montaż urządzeń zabezpieczających w sieci zasilania elektrycznego

Zgodnie z zasadami instalacji elektrycznej, w sieci zasilającej silnik należy zainstalować odłącznik zabezpieczenie przeciwwarciowe oraz odłącznik od sieci elektrycznej.

Uwaga! – Odłącznik musi umożliwiać całkowite odłączenie od zasilania w warunkach określonych przez kategorię przepięcia III.

Odłącznik musi się znajdować w widocznym miejscu w obrębie automatyki, a jeżeli nie jest widoczny, ze względów bezpieczeństwa należy przewidzieć system blokujący ewentualne przypadkowe ponowne lub nieupoważnione podłączenie zasilania.

Uwaga – Te dwa urządzenia nie są dołączone do zestawu.

4.2 - Instalacja ściiennej tablicy przycisków

Uwaga:

- Umieścić tablicę przycisków w widocznym miejscu przy mechanizmie zwijającym, ale z dala od jego ruchomych części.
- Umieścić tablicę przycisków po tej stronie mechanizmu zwijającego, po której znajduje się kabel elektryczny silnika rurowego oraz kabel zasilania poprowadzony z sieci elektrycznej.
- Umieścić przyciski na wysokości powyżej 1,5 m od podłogi.

4.3 - Podłączenie silnika do przycisków sterujących oraz do sieci elektrycznej

Uwaga!

- Nieprawidłowe podłączenie może spowodować awarie lub niebezpieczne sytuacje, dlatego należy uważnie przestrzegać instrukcji podanych w tym punkcie. W wypadku wątpliwości nie próbować niepotrzebnie, ale zapoznać się z odpowiednimi szczegółowymi instrukcjami technicznymi, które dostępne są także na stronie internetowej: www.niceforyou.com.
- Jeżeli kabel zasilania jest uszkodzony, nie wolno używać produktu, gdyż kabla nie można wymienić. W takich przypadkach należy się skontaktować z Serwisem Obsługi Klienta.

Z punktu widzenia elektrycznego silnik musi być zasilany w trybie ciągłym, poprzez stałe podłączenie do sieci zasilania elektrycznego 230V. Aby podłączyć silnik do przycisków sterujących i do sieci elektrycznej odwołaj się do **rys. 5**. Żyłę przewodu łączącego posiadając następujące zastosowanie:

- **Kolor brązowy** = Faza elektryczna podnoszenia lub opuszczania.
- **Kolor Czarny** = Faza elektryczna podnoszenia lub opuszczania.
- **Kolor Niebieski** = Wspólny (zwykle podłączony do Neutralnego).
- **Kolor żółto-zielony** = Uziemienie (połączenie ekspozycyjne zabezpieczające).

4.4 - Połączenie ruchów Podnoszenie i Opuszczanie z odpowiednimi przyciskami

Po wykonaniu połączeń należy podłączyć zasilanie do silnika i sprawdzić, czy ruchy Podnoszenie i Opuszczanie są prawidłowo połączone z odpowiednimi przyciskami sterującymi. Jeżeli tak nie jest należy zamienić połączenia pomiędzy **Brązowym** i **Czarnym** przewodem.

5 REGULACJA OGRANICZNIKÓW

5.1 - Ograniczniki zamykania i otwierania

Podczas manewru podnoszenia i opuszczania silnik automatycznie zatrzymuje roletę w przypadku, kiedy dociera ona do ograniczników położenia (rys. 4): pozycja "0" (roleta całkowicie zwinięta) oraz pozycja "1" (roleta całkowicie rozwinięta). Fabrycznie te pozycje są ustalane w sposób przybliżony, aby je dostosować do specyficznych wymiarów swojej rolety musisz wykorzystać procedurę opisaną w dalszej części tej instrukcji.

5.2 - Jak wyregulować jako pierwszy ogranicznik położenia "0" i następnie ogranicznik położenia "1"

01. Przesuń roletę do pozycji "1".

Połącz śruby regulacyjne z odpowiednimi ogranicznikami położenia:

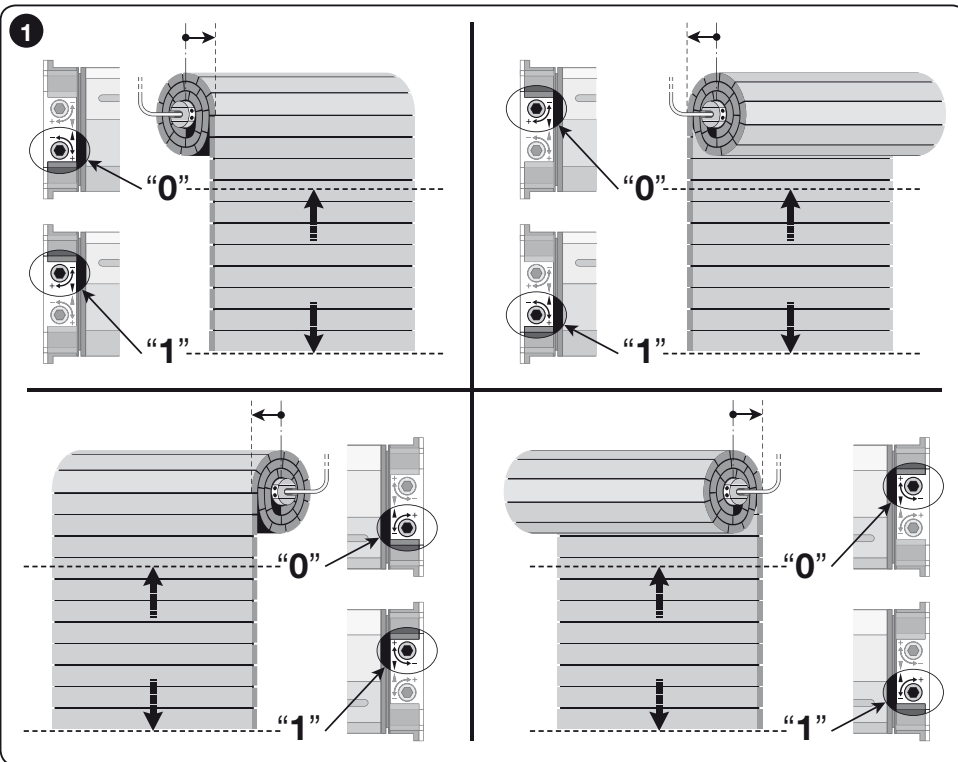
02. Stań przed roletą i sprawdź:

- a) na którym końcu rury znajdują się śruby regulacyjne ograniczników: z prawej lub z lewej strony?
- b) czy rozwinięta część rolety znajduje się przed czy za rurą.

03. Następnie sprawdź na rys. 1 i wybierz spośród schematów na nim zamieszczonych ten, który odpowiada sytuacji a) i b) zaobserwowanej w Twojej instalacji. **Bardzo ważne – Wybrany schemat wyznacza dla każdej śruby regulacyjnej określony ogranicznik, który wymaga regulacji.**

Wyreguluj ogranicznik położenia "0":

04. Wysteruj roletę w taki sposób, aby przesunęła się do



pozycji "0" i odczekaj, aż silnik zatrzyma się w wyniku zadziałania ogranicznika wyregulowanego fabrycznie. **Uwaga!** – Jeżeli roleta przekroczy punkt, który przyjąłeś jako pozycję "0" przerwij jej ruch; następnie wysteruj roletę do powrotu do pozycji początkowej; obróć lekko w kierunku symbolu "-" śrubę regulacyjną, odpowiednią dla ogranicznika "0" i następnie powtórz procedurę od punktu 04.

05. Stopniowo obracaj w kierunku symbolu "+" śrubę regulacyjną odpowiednią dla ogranicznika "0", aż do

wybranej pozycji zatrzymania "0". **Uwaga** – przy każdym obrocie śruby silnik przesuwają się i zatrzymuje w nowej pozycji.

Wyreguluj ogranicznik położenia "1":

06. Obróć lekko w kierunku symbolu "-" śrubę regulacyjną odpowiednią dla ogranicznika "1".

07. Wysteruj roletę w taki sposób, aby przesunęła się do pozycji "1" i odczekaj, aż silnik zatrzyma się w wyniku zadziałania ogranicznika.

Uwaga! – Jeżeli roleta przekroczy punkt, który przyjął jako pozycję “1” przerwij jej ruch; następnie wysteryluj ją do powrotu do pozycji początkowej; obróć lekko w kierunku symbolu “-” śrubę regulacyjną odpowiednią dla ogranicznika “1” i następnie powtórz procedurę od punktu 07.

08. Stopniowo obracaj w kierunku symbolu “+” śrubę regulacyjną odpowiednią dla ogranicznika “1”, aż do wybranej pozycji zatrzymania “1”. **Uwaga** – przy każdym obrocie śruby silnik przesuwa się i zatrzymuje w nowej pozycji.

Ruch awaryjny w trybie ręcznym (tylko dla mod. E MH / E LH)

Mod. E MH / E LH jest wyposażony w mechanizm przymocowany do głowicy silnika (rys. 7-f), który umożliwia użytkownikowi wykonywanie ruchu awaryjnego w trybie ręcznym, obracając drążek w jednym lub w drugim kierunku. Aby unikać niepotrzebnego zużycia się mechanizmu zaleca się używanie go jedynie w przypadku awarii a w związku z tym w przypadku wystąpienia przerwy w dopływie energii elektrycznej.

Uwaga! – Podczas wykonywania tego manewru roleta NIE może przekraczać ograniczników “0” i “1”, ustawionych podczas faz instalowania urządzenia.

Utylizacja urządzenia

To urządzenie jest integralną częścią automatu, dlatego też powinno zostać zlikwidowane razem z nim.

Zarówno operacje instalowania jak również operacje demontażu po zakończeniu eksploatacji urządzenia, powinny być wykonywane przez personel wykwalifikowany.

Urządzenie składa się z różnych rodzajów materiałów: niektóre z nich mogą być ponownie używane, inne nadają się do wyrzucenia. Zgromadzić niezbędne informacje dotyczące placówek zajmujących się recykulacją lub utylizacją materiałów, zgodnie z przepisami obowiązującymi dla danej kategorii urządzenia na Waszym terytorium.

Uwaga! - niektóre części urządzenia mogą zawierać substancje zanieczyszczające lub niebezpieczne, które jeżeli zostaną rozrzucone w otoczeniu, mogą wywierać szkodliwy wpływ na środowisko i zdrowie ludzkie.

Jak wskazuje symbol obok, zabrania się wyrzucania urządzenia razem z odpadami domowymi. Należy więc przeprowadzić “selektywną zbiórkę odpadów”, zgodnie z metodami przewidzianymi przez przepisy obowiązujące na Waszym terytorium lub oddać urządzenie do sprzedawcy podczas dokonywania zakupu nowego ekwiwalentnego urządzenia.

Uwaga! - lokalne przepisy mogą przewidywać wysokie kary za nielegalną likwidację niniejszego urządzenia.



Co zrobić jeśli... (przewodnik do rozwiązywania problemów)

Silnik nie włącza się, pomimo, że zasilana jest faza Podnoszenia i Opuszczania:

- 1) sprawdź, czy zadziałało zabezpieczenie termiczne: w tym przypadku wystarczy odczekać, aż silnik się ochłodzi;
- 2) sprawdź, czy występuje napięcie sieci i czy odpowiada ono wartościom podanym na tabliczce danych silnika;
- 3) sprawdź, czy w wyniku nieprawidłowej regulacji dwa ograniczniki włączają się jednocześnie; w tym przypadku należy dokręcić dwa wkręty regulacyjne wykonując kilka obrotów w kierunku znaku (+).

Jeżeli po zakończeniu tych kontroli silnik nadal nie włącza się, należy zwrócić się o pomoc do wykwalifikowanego technika lub skontaktować się z Serwisem Nice.

Dane techniczne

● **Napięcie zasilania i częstotliwość; prąd i moc elektryczna; moment obrotowy i szybkość:** Sprawdzić dane techniczne na etykiecie każdego modelu. ● **Średnica silnika:** 45 mm (E S: 35 mm). ● **Nominalny czas funkcjonowania:** Maksymalnie 4 minuty. ● **Stopień zabezpieczenia:** IP 44 (silnik rurowy). ● **Temperatura funkcjonowania:** -20°C (min.). ● **Długość przewodu łączącego:** 2,5 m.

Uwagi:

- Wszystkie podane parametry techniczne dotyczą temperatury środowiskowej 20°C (± 5°C).
- Nice S.p.a. zastrzega sobie prawo do wprowadzania zmian do urządzenia w każdej chwili, kiedy uzna je za konieczne, zachowując te same funkcje i przeznaczenie.

1 AANBEVELINGEN EN VOORZORGS- MAATREGELEN VOOR DE VEILIGHEID

1.1 - Aanbevelingen voor de veiligheid

- **LET OP!** – Voor de veiligheid van de personen is het van belang deze aanwijzingen op te volgen. Een onjuiste installatie kan ernstig letsel aan de betrokken personen toebrengen. Om die reden dient u, alvorens met de werkzaamheden te beginnen, de handleiding volledig door te lezen en in geval van twijfels opheldering te vragen aan de klantenservice van Nice.
- **LET OP!** – Belangrijke aanwijzingen voor de veiligheid; bewaar deze aanwijzingen. Bewaar deze handleiding voor eventuele toekomstige onderhoudswerkzaamheden of de verwerking als afval van het afgedankte product.

1.2 - Aanbevelingen voor de installatie

- Alle werkzaamheden in verband met de installatie, de aansluiting, de programmering en het onderhoud van het product mogen uitsluitend worden uitgevoerd door een gekwalificeerde en bekwame technicus, met inachtname van de wetten, voorschriften en plaatselijke regels en volgens de in deze handleiding beschreven instructies.
- Voordat u met de installatie begint, dient u te controleren of dit product geschikt is voor het automatiseren van uw rolluik of zonwering (zie hoofdstuk 3).
- Alle installatie- en onderhoudswerkzaamheden moeten plaatsvinden met van de elektrische voeding losgekoppelde automatisering. Bevestig op de uitschakelinrichting uit voorzorg een bord met het opschrift "LET OP! BEZIG MET ONDERHOUD".
- Alvorens met de installatie te beginnen, dient u alle elektrische kabels, die niet met de werkzaamheden te maken hebben, uit de buurt te plaatsen en dient u alle mechanismen, die niet nodig zijn voor de motoraangedreven werking van rolluik of zonwering, te deactiveren.
- Indien het product op een hoogte van minder dan 2,5

m vanaf de vloer of een ander draagvlak wordt geïnstalleerd, is het noodzakelijk de bewegende delen ervan te beschermen met een afdekking, om te voorkomen dat men hier per ongeluk mee in aanraking kan komen. Zie voor de bescherming van de bewegende delen de instructiehandleiding van rolluik of zonwering, en zorg er in elk geval voor dat men wel bij het product kan voor onderhoudswerkzaamheden.

- Bij zonwerkingen moet een horizontale afstand van minimaal 40 cm worden gearandeerd tussen de volledig geopende zonwering en een eventueel vast object dat zich ervoor bevindt.
- Behandel het product gedurende de installatie voorzichtig en voorkom samendrukking, stoten, valpartijen of contact met vloeistoffen van welke soort dan ook; ga niet met puntige voorwerpen in de motor; boor geen gaten en draai geen schroeven in de buitenkant van de motor; plaats het product niet in de buurt van warmtebronnen en stel het niet bloot aan open vuur (**afb. 2**).

Een dergelijke handelswijze kan het product beschadigen en storingen of gevaarlijke situaties veroorzaken. In dergelijke gevallen dient u de installatie onmiddellijk te onderbreken en contact op te nemen met de klantenservice van Nice.

- Haal het product niet verder uit elkaar dan in deze handleiding is aangegeven.
- Voer geen wijzigingen aan welke delen van het product dan ook uit anders dan in deze handleiding aangegeven. Niet-toegestane handelingen zullen slechts storingen in de werking veroorzaken. De fabrikant aanvaardt geen aansprakelijkheid voor schade die het gevolg is van op willekeurige wijze gewijzigde inrichtingen.
- De voedingskabel van het product is van PVC en is uitsluitend geschikt voor installatie binnenshuis. Als het product buiten wordt geïnstalleerd, dient de kabel te worden afgedekt met een beschermhuis.
- Als de voedingskabel beschadigd is, kan het product niet langer gebruikt worden; de kabel kan namelijk niet vervangen worden. Neem in dit geval contact op met de klantenservice van Nice.
- Gebruik niet meer dan één bedieningsinrichting voor een enkele buismotor en gebruik niet één enkele bedieningsinrichting voor het aansturen van meerdere buismotoren (**afb. 3**). Gebruik in dergelijke gevallen het speciale accessoire "TTE" van Nice.
- Gedurende het aanleggen van de installatie dienen de personen uit de buurt van rolluik of zonwering worden

gehouden wanneer deze in beweging is.

- Gebruik voor het besturen van het product uitsluitend drukknoppen die werken bij "aanwezige persoon", dat wil zeggen, die voor de gehele duur van de manoeuvre ingedrukt moeten worden gehouden.
- De afvalverwerking van het verpakkingsmateriaal van het product moet geheel en al volgens de plaatselijke geldende regels plaatsvinden.

1.3 - Aanbevelingen voor het gebruik

- Het product is niet bestemd om gebruikt te worden door personen (inclusief kinderen) wier fysieke, zintuiglijke of mentale vermogens beperkt zijn of die niet over genoeg ervaring of kennis beschikken, tenzij deze personen onder toezicht staan van een persoon die voor hun veiligheid verantwoordelijk is of instructies hebben ontvangen over het gebruik van het product.
- Laat kinderen niet met de vaste bedieningsinrichtingen spelen.
- Let op wanneer het rolelement (rolluik, zonwering of zonnescherm) in beweging is en blijf uit de buurt totdat de manoeuvre voltooid is.
- **Voor het mod. E MH / E LH** – Wanneer u het mechanisme gebruikt voor een handbediende noodmanoeuvre, als het rolluik omhoog is, dient u zeer goed op te letten, aangezien het rolluik snel naar beneden kan komen als gevolg van te zwakke of gebroken veren.
- Wanneer er ruiten worden gewassen in de buurt van de automatisering, dient u de bedieningsinrichtingen, indien deze van het automatische type zijn, niet te activeren. Koppel ook de elektrische voeding af.
- Controleer de automatisering regelmatig om na te gaan of er onbalans of tekenen van slijtage of schade aan de kabels en de veren (indien deze laatste aanwezig zijn) te zien zijn. Gebruik de automatisering niet als deze afgesteld of gerepareerd moet worden; laat het verhelpen van dergelijke problemen uitsluitend over aan gespecialiseerd technisch personeel.

2 BESCHRIJVING VAN HET PRODUCT EN GEBRUIKSBESTEMMING

Het product is een buismotor die bestemd is voor het automatiseren van een rolluik, een zonwering of een zonnescherm. **Elk willekeurig ander gebruik is verboden! De**

fabrikant is niet aansprakelijk voor schade die het gevolg is van een oneigenlijk gebruik van het product, dat wil zeggen een gebruik dat afwijkt van wat in deze handleiding is beschreven.

Het product heeft de volgende kenmerken:

- het wordt gevoed via het elektriciteitsnet, 230 V;
- het is in staat zonwering of rolluik te laten stijgen en Dalen via op de wand geïnstalleerde drukknoppen (niet in de verpakking aanwezig); daarnaast is het mod. **E MH / E LH** ook voorzien van een mechanisme voor handbediende noodmanoeuvres, dat gebruikt kan worden in het geval van een stroomuitval;
- is voorzien van een elektromechanisch systeem dat automatisch de stroomtoevoer onderbreekt wanneer het rolemlement de ingestelde eindposities bereikt (**afb. 4**): positie "0" (rolemlement volledig opgerold) en positie "1" (rolemlement volledig afgerold);
- de buismotor wordt in zijn geheel binnen de rol van rolluik of zonwering geïnstalleerd en het buitenvlak van dit product kan rechtstreeks op de zijkant van de kast of met behulp van de speciale steunbeugels (niet in de verpakking aanwezig) worden gemonteerd;
- is ontworpen voor gebruik in woonhuizen, met andere woorden, niet voor continu gebruik. Garandeert in elk geval een ononderbroken werkingstijd van maximaal 4 minuten;
- is voorzien van een thermische beveiliging die, in geval van oververhitting als gevolg van te intensief gebruik van de automatisering, de elektrische stroomtoevoer automatisch onderbreekt en deze herstelt zo gauw de temperatuur weer binnen het normale bereik ligt.
- Tijdens de installatie- en afstellingswerkzaamheden, wanneer er nog geen definitieve elektrische aansluitingen zijn, is het mogelijk de motor met de speciale eenheid "TTU" aan te sturen (**afb. 6**).

3 INSTALLATIE VAN HET PRODUCT

3.1 - Controles vooraf – gebruikslimieten

Let op! – Alvorens tot installatie over te gaan, eerst de volgende punten controleren.

- Dit product bestaat in verschillende uitvoeringen, en elk van deze uitvoering heeft een bepaald motorkoppel. Elk

van deze producten is bestemd voor het automatiseren van rolemlementen met bepaalde kenmerken voor wat betreft afmetingen en gewicht. Raadpleeg voordat u gaat installeren daarom "Leidraad bij productkeuze" in de productcatalogus van Nice (www.niceforyou.com) om na te gaan of de kenmerken van de motor in kwestie (motor-koppel, draaisnelheid en werkingstijd) geschikt zijn voor de automatisering van uw rolemlement. **Let op!** - **Installeer geen motor met een hogere motorkoppelcapaciteit dan welke nodig is om uw rolemlement aan te drijven.**

- Controleer de binnendiameter van uw wikkelrol en houd er rekening mee dat voor de motor **E S** de binnendiameter van de wikkelrol minimaal 40 mm moet bedragen, terwijl voor de motoren **E M, E MH, E LH** de binnendiameter van de wikkelrol minimaal 52 mm moet bedragen.

3.2 - Installatie van de buismotor

Om het product te installeren, volgt u de fasen die zijn toegelicht in **afb. 7** en neem de volgende **aanbevelingen** in acht:

- Een verkeerde installatie kan ernstig letsel veroorzaken.
- **Voor het mod. E MH / E LH:** de handgreep van het mechanisme waarmee de handbediende noodmanoeuvre kan worden uitgevoerd, moet op een hoogte van minder dan 1,8 meter geïnstalleerd worden.

4 ELEKTRISCHE AANSLUITINGEN

4.1 - Installatie van de beveiligingsinrichtingen in het elektrische voedingsnet

In overeenstemming met de regels die op de elektrische installatie betrekking hebben, is het nodig om in het net dat de motor voedt een veiligheidsvoorziening tegen kortsluiting op te nemen alsmede een voorziening voor de afsluiting van het elektriciteitsnet.

Let op! – De voorziening voor de afsluiting van het net moet een volledige afsluiting van de voeding mogelijk maken onder de omstandigheden die vastgesteld zijn door overspanningscategorie III.

De voorziening voor de afsluiting moet opgesteld zijn in het zicht van de automatisering. Is deze voorziening niet zicht-

baar dan moet een systeem aanwezig zijn die een eventuele onverhoeds hernieuwde of niet geautoriseerde inschakeling van de voeding blokkeert zodat ieder gevaar wordt weggenomen.

N.B. – De twee voorzieningen maken geen deel uit van de verpakking.

4.2 - Installatie van een wandknoppenpaneel

Waarschuwingen:

- Breng het knoppenpaneel in positie in het zicht van het rolluik maar ver van diens bewegende delen.
- Breng het knoppenpaneel in positie op de zijde van het rolluik waar ook de elektrische kabel aanwezig is die van de buismotor afkomstig is, alsmede de voedingskabel die van het elektriciteitsnet afkomstig is.
- Breng de knoppen in positie op een hoogte van 1,5 m van de vloer.

4.3 - Aansluiting van de motor op een bedieningsdrukknoppenpaneel en op het elektriciteitsnet

Let op!

- Een verkeerde aansluiting kan defecten of gevaarlijke situaties veroorzaken; neem de instructies die in deze paragraaf staan dus strikt in acht. Waag u in geval van twijfel niet aan experimenten, maar raadpleeg de daarvoor bestemde gespecificeerde technische bladen die ook op de site www.niceforyou.com beschikbaar zijn.
- Als de voedingskabel beschadigd is, kan het product niet gebruikt worden omdat de kabel niet vervangen kan worden. In deze gevallen neemt u contact op met de Technische Assistentiedienst.

Vanuit elektrisch oogpunt moet de motor permanent gevoed worden, via een permanente aansluiting op het elektrische 230V distributienet. Om de motor aan te sluiten op een bedieningsdrukknoppenpaneel en het elektriciteitsnet, zie **afb. 5**. De geleiders van de verbindingkabel hebben de volgende toepassing:

- **bruin** = Elektrische stijg- of daalfase.
- **zwart** = Elektrische stijg- of daalfase.
- **blauwe kleur** = Gemeenschappelijk (gewoonlijke aangesloten op de Nulleider).
- **groen-gele kleur** = Aarde (equipotentiaalverbinding ter beveiliging).

4.4 - Koppeling van de Stijg- en Daalbewegingen aan de respectievelijke bedieningsknoppen

Na afloop van de aansluitwerkzaamheden, spanning aan de motor geven en controleren of de Stijg- en Daalbewegingen correct aan de respectievelijke bedieningsknoppen zijn gekoppeld. Als dit niet zo is, dient u de aansluiting tussen de **Bruine** en **Zwarte** geleiders om te draaien.

5 AFSTELLING VAN DE EINDSCHAKELAARS

5.1 - De eindposities van de openings- en de sluitbeweging

Gedurende de beweging omhoog en omlaag zal de motor het rolelement automatisch stoppen op het moment dat dit de eindposities bereikt (**afb. 4**): positie "0" (rolelement volledig opgerold) en positie "1" (rolelement volledig afgerold). In de fabriek worden deze posities bij benadering ingesteld, om ze aan te passen aan de specifieke afmetingen van uw rolelement, volgt u de hieronder beschreven procedure.

5.2 - Hoe eerst de eindpositie "0" en vervolgens de eindpositie "1" in te stellen

01. Zet het rolelement in positie "1".

Bepaal de combinatie van de stelschroeven en de bijbehorende eindposities:

02. Ga voor het rolelement staan en observeer:

a) op welk uiteinde van de rol bevinden zich de stelschroeven van de eindposities, rechts of links?

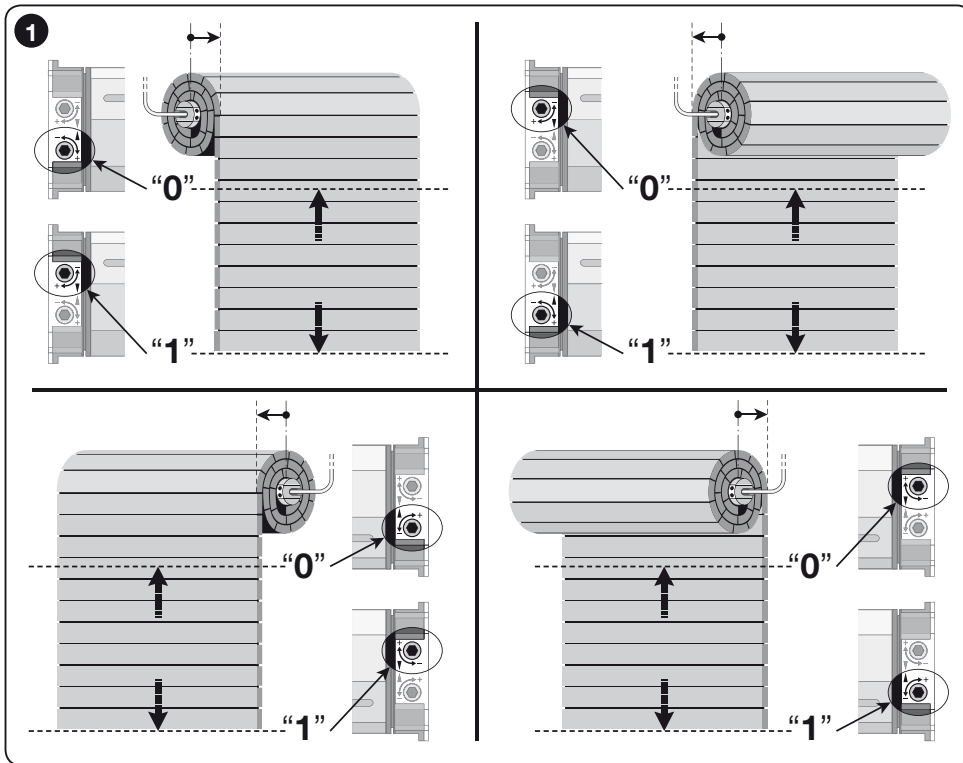
b) bevindt het afgerolde gedeelte van het rolelement zich voor of achter de rol.

03. Observeer vervolgens **afb. 1** en bepaal welk van de getoonde schema's overeenkomt met de situatie a) en b) zoals u die op uw installatie heeft geobserveerd. **Heel belangrijk – Het gevonden schema kent aan iedere stelschroef een bepaalde af te stellen eindpositie toe.**

Afstellen van de eindpositie "0":

04. Bedien het rolelement zodat dit zich naar de positie

3 – Nederlands



"0" beweegt en wacht tot de motor stopt door de activering van de in de fabriek voorinstelde eindpositie.

Let op! – Indien het rolelement het punt, waar u de eindpositie "0" wilt instellen, overschrijdt, stopt u de beweging; laat het rolelement vervolgens terugkeren in de uitgangspositie; draai de bij de eindpositie "0" horende stelschroef een aantal slagen in de richting van het teken "-" en herhaal de procedure tot slot vanaf punt 04.

05. Draai de stelschroef van de eindpositie "0" een beetje

per keer in de richting van het teken "+" tot u de gewenste stoppositie "0" heeft verkregen. **Opmerking** – bij iedere slag van de schroef beweegt de motor, om in de nieuwe positie tot stilstand te komen.

Afstellen van de eindpositie "1":

06. Draai de stelschroef van de eindpositie "1" in de richting van het teken "-".

07. Bedien het rolelement zodat dit zich naar de positie "1" beweegt en wacht tot de motor stopt door de acti-

vering van de in de fabriek voorgestelde eindpositie.

Let op! – Indien het rolelement het punt, waar u de eindpositie “1” wilt instellen, overschrijdt, stopt u de beweging; laat het rolelement vervolgens terugkeren in de uitgangspositie; draai de bij de eindpositie “1” horende stelschroef een aantal slagen in de richting van het teken “-” en herhaal de procedure tot slot vanaf punt 07.

08. Draai de stelschroef van de eindpositie “1” een beetje per keer in de richting van het teken “+” tot u de gewenste stoppositie “1” heeft verkregen. **Opmerking** - bij iedere slag van de schroef beweegt de motor, om in de nieuwe positie tot stilstand te komen.

Handbediende noodmanoeuvre (alleen voor het mod. E MH / E LH)

Het mod. **E MH / E LH** is uitgerust met een mechanisme dat in de motorkop is bevestigd (**afb. 7-f**) dat de gebruiker de mogelijkheid biedt een handbediende noodmanoeuvre uit te voeren door de staaf in de ene of de andere richting te draaien. Om onnodige slijtage van het mechanisme te voorkomen, wordt aangeraden het alleen in geval van nood (bij een stroomuitval) te gebruiken.

Let op! – Bij het uitvoeren van deze manoeuvre mogen zonwerking of rolluik de limieten van de eindschakelaars “0” en “1” die zijn ingesteld tijdens de installatie van het product NIET overschrijden.

Afdanken van het product

Dit product maakt integraal deel uit van de automatisering en moet dan ook samen met de automatisering worden afgedankt.

De ontmantelingswerkzaamheden aan het eind van de levensduur van dit product moeten, net als de installatiewerkzaamheden, worden uitgevoerd door gekwalificeerd personeel.

Dit product is opgebouwd uit verschillende soorten materiaal: sommigen hiervan kunnen gerecycled worden, anderen moeten als afval worden verwerkt. Win informatie in over de recycling- of afvalverwerkingsystemen die voor deze productcategorie zijn voorzien door de in uw land geldende voorschriften.

Let op! – Sommige delen van het product kunnen vervuilde of gevaarlijke substanties bevatten die, indien ze in het milieu terechtkomen, schadelijke effecten kunnen hebben op de omgeving of op de gezondheid van personen. Zoals aangegeven door het symbool hier-naast, is het verboden dit product met het gewone huisvuil weg te gooien. Volg een “gescheiden afvalverwerking” volgens de methodes die voorzien zijn door de in uw land geldende voorschriften, of lever het product weer in bij de verkoper op het moment dat u een nieuw gelijksoortig product aanschaft.

Let op! – De plaatselijk geldende voorschriften kunnen zware sancties voorzien in het geval u de voorschriften voor afvalverwerking van dit product niet opvolgt.



Wat te doen als... (richtsnoer voor het oplossen van problemen)

De motor niet draait terwijl er wel een aansturing voor een Stijg- of Daalfase werd gegeven:

- 1) controleer of de thermische beveiliging geactiveerd is: in dit geval is het voldoende te wachten tot de motor is afgekoeld;
- 2) controleer of er netspanning is en of deze overeenkomt met de op het motorplaatje vermelde waarden;
- 3) controleer of de twee eindschakelaars als gevolg van een verkeerde afstelling tegelijkertijd actief worden; in dit geval draait u de twee stelschroeven enige slagen in de richting van het teken “+”.
Als de motor na deze controles nog steeds niet draait, dient u contact op te nemen met de klantenservice van Nice.

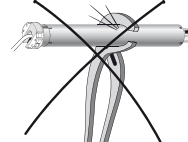
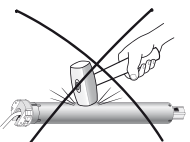
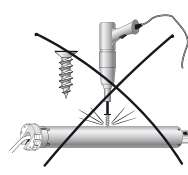
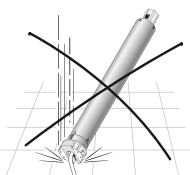
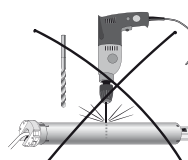
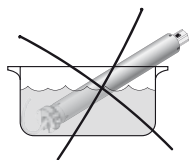
Technische kenmerken

● **Voedingsspanning en frequentie; stroom en vermogen; koppel en snelheid:** zie de technische gegevens op het etiket van elk model. ● **Diameter van de motor:** 45 mm (E S: 35 mm). ● **Nominale werkingstijd:** maximaal 4 minuten. ● **Beschermingsklasse:** IP 44 (buis-motor). ● **Werkings temperatuur:** -20°C (minimaal). ● **Langte verbindingkabel:** 2,5 m.

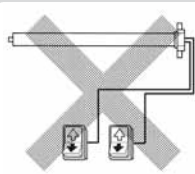
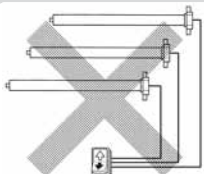
Opmerkingen:

- Alle vermelde technische kenmerken hebben betrekking op een omgevingstemperatuur van 20°C (± 5°C).
- Nice S.p.a behoudt zich het recht voor om, indien dit noodzakelijk wordt geacht, op elk willekeurig moment wijzigingen aan het product door te voeren waarbij hoe dan ook de functionaliteit en de gebruiksbestemming ervan gelijk blijven.

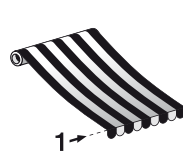
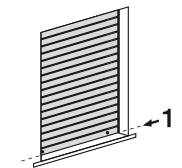
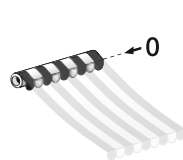
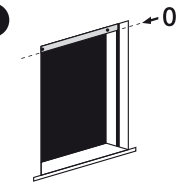
2



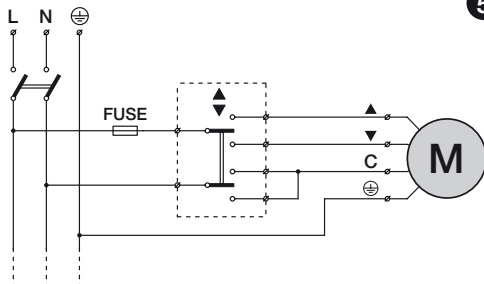
3



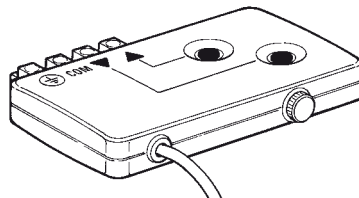
4



5

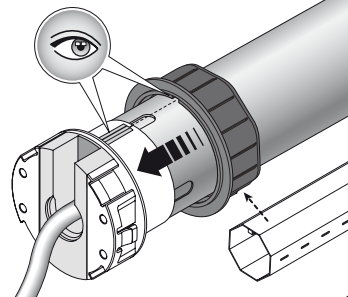


6

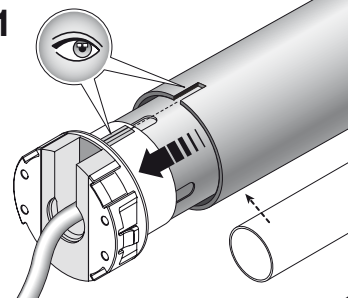


7

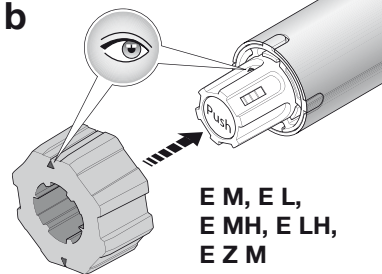
a



a1



b





Nice

Nice SpA
Oderzo TV Italia
info@niceforyou.com

www.niceforyou.com